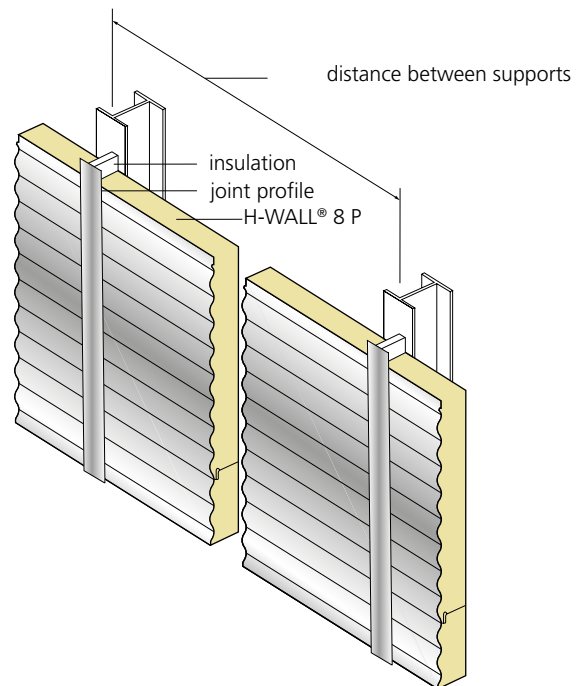
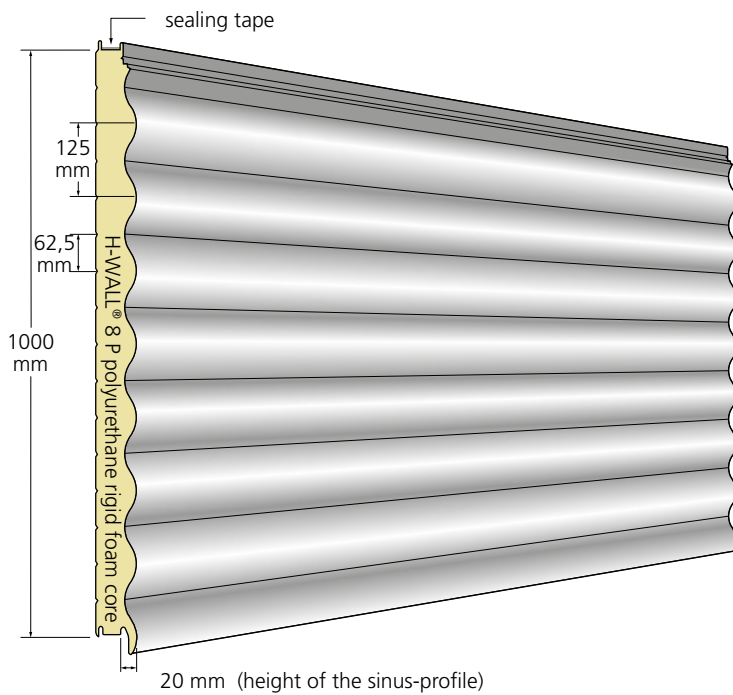


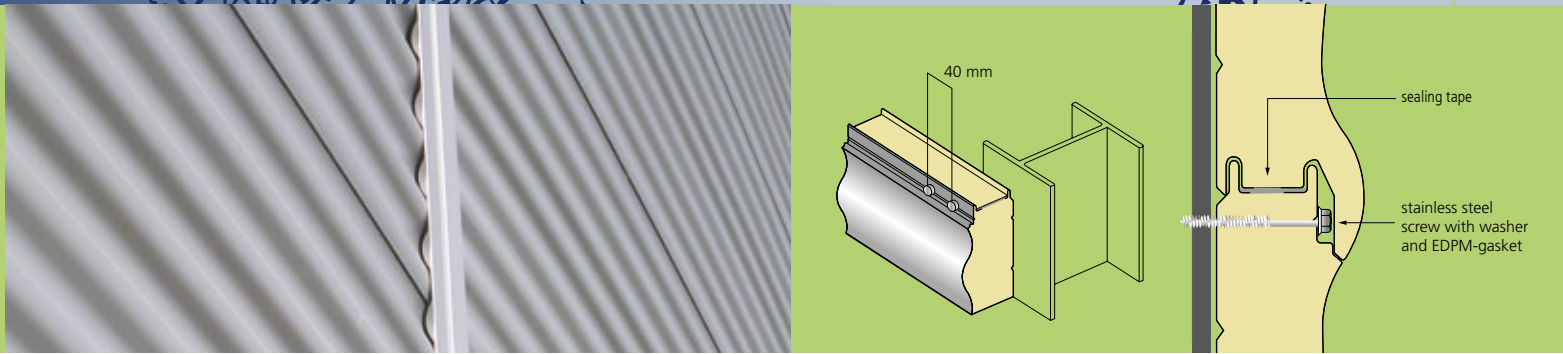


This sandwich panel with sinus corrugated external sheet and hidden fixing is a great esthetical option for modern facades by giving them a lively touch with its original wave design. The highly heat insulating CFC and HCFC free polyurethane rigid foam core suits best for today's requirements for thermal insulation and moisture protection. A non-displaceable sealing strip foamed into the longitudinal joint procures resistance to driving rain and wind. Together

with the organic coating of the steel sheets this ensures efficient protection against all kinds of weather. For advanced application additional coating systems are available. More information is available in the download area www.en.metecno.de.



different internal profiles on request, dimensions in mm



PRODUCTION AND LABELING

Production according to applicable European Building Product Regulation as per sandwich norm DIN EN 14509 label-marking in accordance with EC certificate of conformity 0769-C PR-VAS-00420

APPLICATION APPROVAL

Current approvals, certificates and general building permits at www.en.metecno.de/service.

REACTION TO FIRE

Building material classified as B-s2,d0 low flammable according to DIN EN 13501-1

THERMAL CONDUCTIVITY

$\lambda = 0.024 \text{ W / m.K}$ according to DIN 4108 and DIN EN 13165
The insulation values are regularly monitored by external bodies and may be applied without any further reduction

SOUND INSULATION

$R_w \geq 25 \text{ dB}$

STANDARD COATING

External steel sheet: 25 μm polyester;
Internal steel sheet: $\approx 15 \mu\text{m}$ thin coating (DU); For standard colours and different coating systems please refer to our colour chart

STANDARD LENGTHS

> 2,00 m to 25,00 m, greater lengths on request

CORROSION PROTECTION

According to DIN EN 10169:
External sheet: Class RC3
Internal sheet: Class RC2

According to DIN EN ISO 12944-2:
External sheet: corrosivity category C3 corresponding to average duration of protection for urban and industrial environments with moderate exposure to sulphur dioxide
Internal sheet: corrosivity category C2 for dry indoor rooms and buildings with occasional probability of minor condensation
Other coating systems are available for more sophisticated demands such as for buildings near the sea, farm buildings with high ammonia exposure or moist rooms

STANDARD STEEL SHEETS

Hot-dip galvanized steel, grade S 320 GD+ Z 275 according to DIN EN 10346

TABLE OF SPANS

Please visit our website www.en.metecno.de

PACKAGING

External sheet provided with removable protective film, panel packages wrapped with banded plastic foil to protect from soiling

type of element	core thickn. s	total thickn. D	external steel sheet tN	internal steel sheet tN	weight kg / m ²	thermal resistance R	thermal conductivity [Ψ – joint effect]	
							U w/o Ψ	U with Ψ
	mm	mm	mm	mm		m ² K / W	W / m ² K	W / m ² K
H-WALL® 8 P	50	70	0,60	0,45	12,2	2,04	0,408	0,438
	80	100	0,60	0,45	13,4	3,29	0,270	0,281
	100	120	0,60	0,45	14,2	4,12	0,221	0,227

