

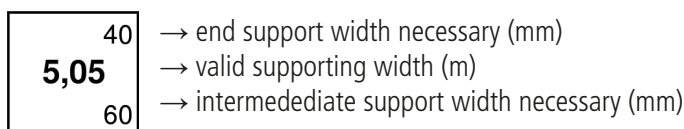
## General notes on span tables for wall panels

Note the following:

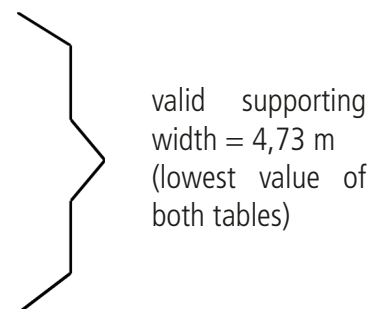
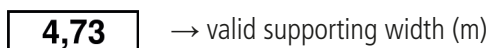
- The characteristic loads are to be determined according to the terms of valid standards and eurocodes.
- Choose the minimal supporting width from wind pressure and wind suction for the respective case of application.
- Colour groups I (very light), II (light) and III (dark) – see approval.
- This span table is valid for buildings with normal interior climate (no cold/frozen storage or ripening facilities).
- Valid supporting widths are stated in meters (m), necessary support widths in millimetres (mm), see example below.
- Deflection amounts to a maximum of L/100 under consideration of all unfavourable loads according to approval.
- **The stated supporting widths apply to multi-span beams and direct attachment up to max. 5 screws per intermediate support line and meter. If there are more than 5 screws per meter, the wrinkle tension is to be checked according to the requirements of the approval.**
- In each individual case, a separate proof of the fastening (tensile stress from wind suction and Temperature, for tearing out of the substructure and the screw head deflection) is required.

Example:

from wind pressure table:



from wind suction table:

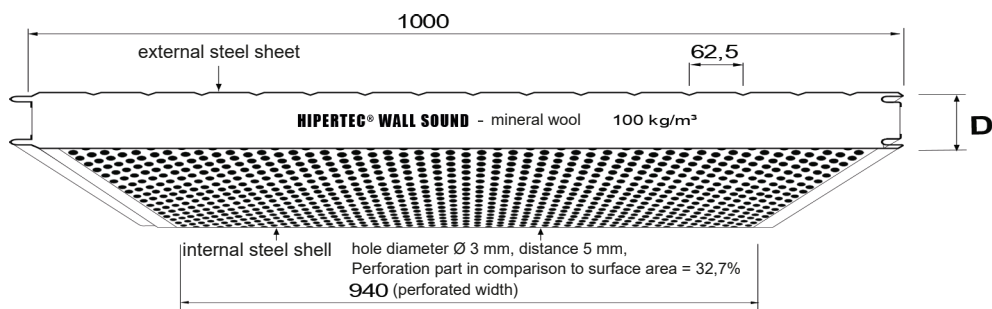


# Span table 07B-05

## Hipertec Wall Sound d = 50 mm

$t_N = 0,60 / 0,60$  mm

The following maximum spans have been calculated according Zulassung Z-10.49-517 of May 20th 2022 for Metecno sandwich panels with mineral wool core. For the perforated internal sheets, reduced surface due to perforation as well as reduced crease tension have been taken into account. Sandwich panels with perforated sheets are not covered by DIN EN 14509. Instructions for the use of the table can be found on the cover sheet.



### Valid supporting widths [m] for wind pressure

stat. system	colour group	wind pressure in kN / m <sup>2</sup>										
		0,25	0,30	0,40	0,50	0,60	0,80	1,00	1,25	1,50	1,75	2,00
single span	I, II, III	40 <b>6,40</b>	40 <b>5,84</b>	40 <b>5,06</b>	40 <b>4,20</b>	40 <b>3,50</b>	40 <b>2,62</b>	40 <b>2,10</b>	40 <b>1,68</b>	40 <b>1,40</b>	40 <b>1,20</b>	40 <b>1,05</b>
dual span	I	40 <b>1,96</b> 60	40 <b>1,94</b> 60	40 <b>1,91</b> 60	40 <b>1,88</b> 60	40 <b>1,86</b> 60	40 <b>1,81</b> 60	40 <b>1,77</b> 60	40 <b>1,68</b> 60	40 <b>1,40</b> 60	40 <b>1,20</b> 60	40 <b>1,05</b> 60
	II	40 <b>1,96</b> 60	40 <b>1,94</b> 60	40 <b>1,91</b> 60	40 <b>1,88</b> 60	40 <b>1,86</b> 60	40 <b>1,81</b> 60	40 <b>1,77</b> 60	40 <b>1,68</b> 60	40 <b>1,40</b> 60	40 <b>1,20</b> 60	40 <b>1,05</b> 60
	III	40 <b>1,76</b> 60	40 <b>1,76</b> 60	40 <b>1,76</b> 60	40 <b>1,76</b> 60	40 <b>1,76</b> 60	40 <b>1,76</b> 60	40 <b>1,76</b> 60	40 <b>1,68</b> 60	40 <b>1,40</b> 60	40 <b>1,20</b> 60	40 <b>1,05</b> 60
multiple span	I	40 <b>1,92</b> 60	40 <b>1,90</b> 60	40 <b>1,84</b> 60	40 <b>1,80</b> 60	40 <b>1,76</b> 60	40 <b>1,70</b> 60	40 <b>1,65</b> 60	40 <b>1,60</b> 60	40 <b>1,40</b> 60	40 <b>1,20</b> 60	40 <b>1,05</b> 60
	II	40 <b>1,92</b> 60	40 <b>1,90</b> 60	40 <b>1,84</b> 60	40 <b>1,80</b> 60	40 <b>1,76</b> 60	40 <b>1,70</b> 60	40 <b>1,65</b> 60	1,6 60	40 <b>1,40</b> 60	40 <b>1,20</b> 60	40 <b>1,05</b> 60
	III	40 <b>1,59</b> 60	40 <b>1,59</b> 60	40 <b>1,59</b> 60	40 <b>1,59</b> 60	40 <b>1,59</b> 60	40 <b>1,59</b> 60	40 <b>1,59</b> 60	40 <b>1,59</b> 60	40 <b>1,67</b> 60	40 <b>1,40</b> 60	40 <b>1,20</b> 60

### Valid supporting widths [m] for wind suction

stat. system	colour group	wind suction in kN / m <sup>2</sup>										
		0,25	0,30	0,40	0,50	0,60	0,80	1,00	1,25	1,50	1,75	2,00
single span	I, II, III	<b>5,08</b>	<b>4,64</b>	<b>4,02</b>	<b>3,59</b>	<b>3,28</b>	<b>2,62</b>	<b>2,10</b>	<b>1,68</b>	<b>1,40</b>	<b>1,20</b>	<b>1,05</b>
dual span	I	<b>2,06</b>	<b>2,06</b>	<b>2,06</b>	<b>2,06</b>	<b>2,06</b>	<b>2,06</b>	<b>2,06</b>	<b>1,68</b>	<b>1,40</b>	<b>1,20</b>	<b>1,05</b>
	II	<b>2,06</b>	<b>2,06</b>	<b>2,06</b>	<b>2,06</b>	<b>2,06</b>	<b>2,06</b>	<b>2,06</b>	<b>1,68</b>	<b>1,40</b>	<b>1,20</b>	<b>1,05</b>
	III	<b>1,72</b>	<b>1,71</b>	<b>1,70</b>	<b>1,68</b>	<b>1,67</b>	<b>1,65</b>	<b>1,63</b>	<b>1,60</b>	<b>1,40</b>	<b>1,20</b>	<b>1,05</b>
multiple span	I	<b>2,12</b>	<b>2,12</b>	<b>2,12</b>	<b>2,12</b>	<b>2,12</b>	<b>2,12</b>	<b>2,10</b>	<b>1,68</b>	<b>1,40</b>	<b>1,20</b>	<b>1,05</b>
	II	<b>2,12</b>	<b>2,12</b>	<b>2,12</b>	<b>2,12</b>	<b>2,12</b>	<b>2,12</b>	<b>2,10</b>	<b>1,68</b>	<b>1,40</b>	<b>1,20</b>	<b>1,05</b>
	III	<b>1,54</b>	<b>1,53</b>	<b>1,52</b>	<b>1,50</b>	<b>1,49</b>	<b>1,46</b>	<b>1,44</b>	<b>1,41</b>	<b>1,39</b>	<b>1,20</b>	<b>1,05</b>

Subject to changes · As of 02/24

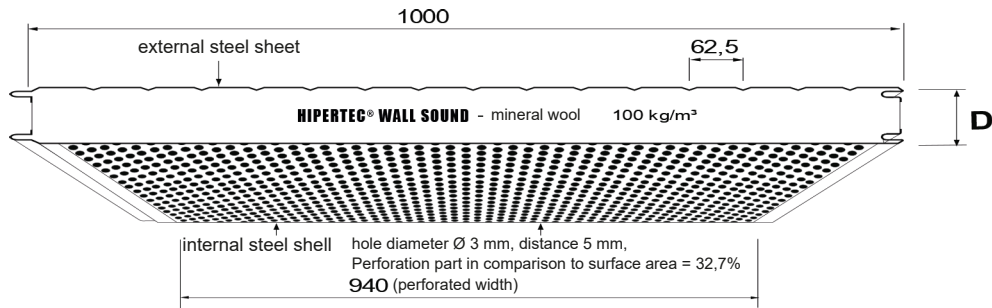


# Span table 07B-06

## Hipertec Wall Sound d = 60 mm

$t_N = 0,60 / 0,60$  mm

The following maximum spans have been calculated according Zulassung Z-10.49-517 of May 20th 2022 for Metecno sandwich panels with mineral wool core. For the perforated internal sheets, reduced surface due to perforation as well as reduced crease tension have been taken into account. Sandwich panels with perforated sheets are not covered by DIN EN 14509. Instructions for the use of the table can be found on the cover sheet.



### Valid supporting widths [m] for wind pressure

stat. system	colour group	wind pressure in kN / m <sup>2</sup>										
		0,25	0,30	0,40	0,50	0,60	0,80	1,00	1,25	1,50	1,75	2,00
single span	I, II, III	40 7,01	40 6,40	40 5,25	40 4,20	40 3,50	40 2,62	40 2,10	40 1,68	40 1,40	40 1,20	40 1,05
dual span	I	40 1,62 60	40 1,61 60	40 1,59 60	40 1,58 60	40 1,56 60	40 1,53 60	40 1,50 60	40 1,47 60	40 1,40 60	40 1,20 60	40 1,05 60
	II	40 1,62 60	40 1,61 60	40 1,59 60	40 1,58 60	40 1,56 60	40 1,53 60	40 1,50 60	40 1,47 60	40 1,40 60	40 1,20 60	40 1,05 60
	III	40 1,62 60	40 1,61 60	40 1,59 60	40 1,58 60	40 1,56 60	40 1,53 60	40 1,50 60	40 1,47 60	40 1,40 60	40 1,20 60	40 1,05 60
multiple span	I	40 1,61 60	40 1,59 60	40 1,56 60	40 1,53 60	40 1,50 60	40 1,46 60	40 1,42 60	40 1,38 60	45 1,35 60	46 1,20 60	40 1,05 60
	II	40 1,61 60	40 1,59 60	40 1,56 60	40 1,53 60	40 1,50 60	40 1,46 60	40 1,42 60	40 1,38 60	40 1,35 60	40 1,20 60	40 1,05 60
	III	40 1,61 60	40 1,59 60	40 1,56 60	40 1,53 60	40 1,50 60	40 1,46 60	40 1,42 60	40 1,38 60	40 1,35 60	40 1,20 60	40 1,05 60

### Valid supporting widths [m] for wind suction

stat. system	colour group	wind suction in kN / m <sup>2</sup>										
		0,25	0,30	0,40	0,50	0,60	0,80	1,00	1,25	1,50	1,75	2,00
single span	I, II, III	5,08	4,64	4,02	3,59	3,28	2,62	2,10	1,68	1,40	1,20	1,05
dual span	I	1,68	1,68	1,68	1,68	1,68	1,68	1,68	1,68	1,40	1,20	1,05
	II	1,68	1,68	1,68	1,68	1,68	1,68	1,68	1,68	1,40	1,20	1,05
	III	1,68	1,68	1,68	1,68	1,68	1,68	1,68	1,68	1,40	1,20	1,05
multiple span	I	1,72	1,72	1,72	1,72	1,72	1,72	1,72	1,68	1,40	1,20	1,05
	II	1,72	1,72	1,72	1,72	1,72	1,72	1,72	1,68	1,40	1,20	1,05
	III	1,72	1,72	1,72	1,72	1,72	1,72	1,72	1,68	1,40	1,20	1,05

Subject to changes · As of 02/24

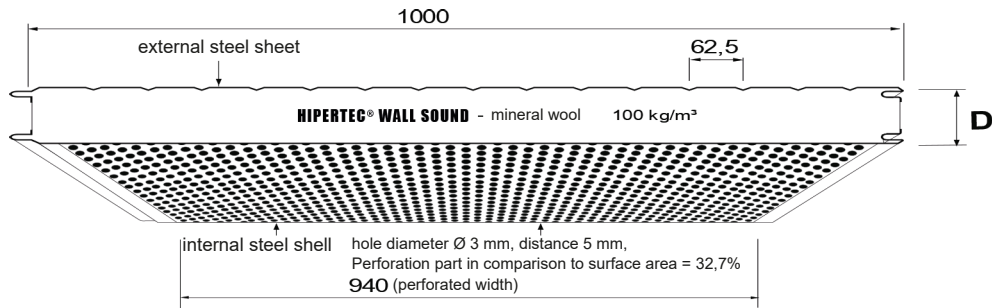


# Span table 07B-08

## Hipertec Wall Sound d = 80 mm

$t_N = 0,60 / 0,60$  mm

The following maximum spans have been calculated according Zulassung Z-10.49-517 of May 20th 2022 for Metecno sandwich panels with mineral wool core. For the perforated internal sheets, reduced surface due to perforation as well as reduced crease tension have been taken into account. Sandwich panels with perforated sheets are not covered by DIN EN 14509. Instructions for the use of the table can be found on the cover sheet.



### Valid supporting widths [m] for wind pressure

stat. system	colour group	wind pressure in kN / m <sup>2</sup>										
		0,25	0,30	0,40	0,50	0,60	0,80	1,00	1,25	1,50	1,75	2,00
single span	I, II, III	40 <b>8,11</b>	40 <b>7,40</b>	40 <b>6,41</b>	40 <b>5,62</b>	40 <b>4,69</b>	40 <b>3,51</b>	40 <b>2,81</b>	40 <b>2,25</b>	40 <b>1,87</b>	40 <b>1,60</b>	40 <b>1,04</b>
dual span	I	40 <b>1,90</b> 60	40 <b>1,89</b> 60	40 <b>1,87</b> 60	40 <b>1,85</b> 60	40 <b>1,83</b> 60	40 <b>1,79</b> 60	40 <b>1,76</b> 60	40 <b>1,72</b> 61	40 <b>1,70</b> 73	40 <b>1,60</b> 80	40 <b>1,40</b> 80
	II	40 <b>1,90</b> 60	40 <b>1,89</b> 60	40 <b>1,87</b> 60	40 <b>1,85</b> 60	40 <b>1,83</b> 60	40 <b>1,79</b> 60	40 <b>1,76</b> 60	40 <b>1,72</b> 61	40 <b>1,70</b> 73	40 <b>1,60</b> 80	40 <b>1,40</b> 80
	III	40 <b>1,90</b> 60	40 <b>1,89</b> 60	40 <b>1,87</b> 60	40 <b>1,85</b> 60	40 <b>1,83</b> 60	40 <b>1,79</b> 60	40 <b>1,76</b> 60	40 <b>1,72</b> 61	40 <b>1,70</b> 73	40 <b>1,60</b> 80	40 <b>1,40</b> 80
multiple span	I	40 <b>1,89</b> 60	40 <b>1,86</b> 60	40 <b>1,83</b> 60	40 <b>1,80</b> 60	40 <b>1,76</b> 60	40 <b>1,71</b> 60	40 <b>1,66</b> 60	40 <b>1,62</b> 60	45 <b>1,58</b> 68	46 <b>1,54</b> 77	40 <b>1,40</b> 80
	II	40 <b>1,89</b> 60	40 <b>1,86</b> 60	40 <b>1,83</b> 60	40 <b>1,80</b> 60	40 <b>1,76</b> 60	40 <b>1,71</b> 60	40 <b>1,66</b> 60	40 <b>1,62</b> 60	40 <b>1,58</b> 68	40 <b>1,54</b> 77	40 <b>1,40</b> 80
	III	40 <b>1,89</b> 60	40 <b>1,86</b> 60	40 <b>1,83</b> 60	40 <b>1,80</b> 60	40 <b>1,76</b> 60	40 <b>1,71</b> 60	40 <b>1,66</b> 60	40 <b>1,62</b> 60	40 <b>1,58</b> 68	40 <b>1,54</b> 77	40 <b>1,40</b> 80

### Valid supporting widths [m] for wind suction

stat. system	colour group	wind suction in kN / m <sup>2</sup>										
		0,25	0,30	0,40	0,50	0,60	0,80	1,00	1,25	1,50	1,75	2,00
single span	I, II, III	<b>5,88</b>	<b>5,36</b>	<b>4,65</b>	<b>4,16</b>	<b>3,79</b>	<b>3,28</b>	<b>2,81</b>	<b>2,25</b>	<b>1,87</b>	<b>1,60</b>	<b>1,40</b>
dual span	I	<b>1,97</b>	<b>1,97</b>	<b>1,97</b>	<b>1,97</b>	<b>1,97</b>	<b>1,97</b>	<b>1,97</b>	<b>1,67</b>	<b>1,87</b>	<b>1,60</b>	<b>1,40</b>
	II	<b>1,97</b>	<b>1,97</b>	<b>1,97</b>	<b>1,97</b>	<b>1,97</b>	<b>1,97</b>	<b>1,97</b>	<b>1,67</b>	<b>1,87</b>	<b>1,60</b>	<b>1,40</b>
	III	<b>1,97</b>	<b>1,97</b>	<b>1,97</b>	<b>1,97</b>	<b>1,97</b>	<b>1,97</b>	<b>1,97</b>	<b>1,67</b>	<b>1,87</b>	<b>1,60</b>	<b>1,40</b>
multiple span	I	<b>2,03</b>	<b>2,03</b>	<b>2,03</b>	<b>2,03</b>	<b>2,03</b>	<b>2,03</b>	<b>2,03</b>	<b>2,03</b>	<b>1,87</b>	<b>1,60</b>	<b>1,40</b>
	II	<b>2,03</b>	<b>2,03</b>	<b>2,03</b>	<b>2,03</b>	<b>2,03</b>	<b>2,03</b>	<b>2,03</b>	<b>2,03</b>	<b>1,87</b>	<b>1,60</b>	<b>1,40</b>
	III	<b>2,03</b>	<b>2,03</b>	<b>2,03</b>	<b>2,03</b>	<b>2,03</b>	<b>2,03</b>	<b>2,03</b>	<b>2,03</b>	<b>1,87</b>	<b>1,60</b>	<b>1,40</b>

Subject to changes · As of 02/24

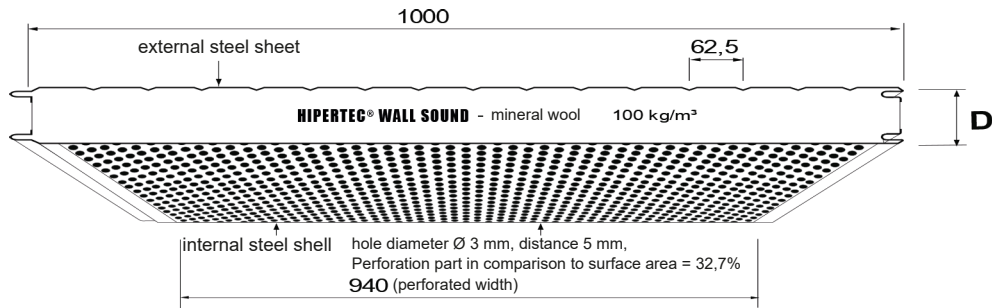


# Span table 07B-10

## Hipertec Wall Sound d = 100 mm

$t_N = 0,60 / 0,60$  mm

The following maximum spans have been calculated according Zulassung Z-10.49-517 of May 20th 2022 for Metecno sandwich panels with mineral wool core. For the perforated internal sheets, reduced surface due to perforation as well as reduced crease tension have been taken into account. Sandwich panels with perforated sheets are not covered by DIN EN 14509. Instructions for the use of the table can be found on the cover sheet.



### Valid supporting widths [m] for wind pressure

stat. system	colour group	wind pressure in kN / m <sup>2</sup>										
		0,25	0,30	0,40	0,50	0,60	0,80	1,00	1,25	1,50	1,75	2,00
single span	I, II, III	40 <b>9,08</b>	40 <b>8,28</b>	41 <b>7,18</b>	46 <b>6,42</b>	50 <b>5,86</b>	50 <b>4,40</b>	50 <b>3,52</b>	50 <b>2,82</b>	50 <b>2,35</b>	50 <b>2,01</b>	50 <b>1,76</b>
dual span	I	40 <b>2,16</b> 60	40 <b>2,15</b> 60	40 <b>2,12</b> 60	40 <b>2,10</b> 60	40 <b>2,08</b> 60	40 <b>2,03</b> 60	40 <b>2,00</b> 60	40 <b>1,96</b> 70	41 <b>1,92</b> 82	47 <b>1,89</b> 94	50 <b>1,76</b> 100
	II	40 <b>2,16</b> 60	40 <b>2,15</b> 60	40 <b>2,12</b> 60	40 <b>2,10</b> 60	40 <b>2,08</b> 60	40 <b>2,03</b> 60	40 <b>2,00</b> 60	40 <b>1,96</b> 70	41 <b>1,92</b> 82	47 <b>1,89</b> 94	50 <b>1,76</b> 100
	III	40 <b>2,16</b> 60	40 <b>2,15</b> 60	40 <b>2,12</b> 60	40 <b>2,10</b> 60	40 <b>2,08</b> 60	40 <b>2,03</b> 60	40 <b>2,00</b> 60	40 <b>1,96</b> 70	41 <b>1,92</b> 82	47 <b>1,89</b> 94	50 <b>1,76</b> 100
multiple span	I	40 <b>2,14</b> 60	40 <b>2,12</b> 60	40 <b>2,08</b> 60	40 <b>2,04</b> 60	40 <b>2,00</b> 60	40 <b>1,94</b> 60	40 <b>1,89</b> 60	40 <b>1,83</b> 65	40 <b>1,79</b> 77	44 <b>1,75</b> 87	49 <b>1,71</b> 97
	II	40 <b>2,14</b> 60	40 <b>2,12</b> 60	40 <b>2,08</b> 60	40 <b>2,04</b> 60	40 <b>2,00</b> 60	40 <b>1,94</b> 60	40 <b>1,89</b> 60	40 <b>1,83</b> 65	40 <b>1,79</b> 77	44 <b>1,75</b> 87	49 <b>1,71</b> 97
	III	40 <b>2,14</b> 60	40 <b>2,12</b> 60	40 <b>2,08</b> 60	40 <b>2,04</b> 60	40 <b>2,00</b> 60	40 <b>1,94</b> 60	40 <b>1,89</b> 60	40 <b>1,83</b> 65	40 <b>1,79</b> 77	44 <b>1,75</b> 87	49 <b>1,71</b> 97

### Valid supporting widths [m] for wind suction

stat. system	colour group	wind suction in kN / m <sup>2</sup>										
		0,25	0,30	0,40	0,50	0,60	0,80	1,00	1,25	1,50	1,75	2,00
single span	I, II, III	<b>6,58</b>	<b>6,00</b>	<b>5,20</b>	<b>4,65</b>	<b>4,24</b>	<b>3,68</b>	<b>3,29</b>	<b>2,82</b>	<b>2,35</b>	<b>2,01</b>	<b>1,76</b>
dual span	I	<b>2,24</b>	<b>2,24</b>	<b>2,24</b>	<b>2,24</b>	<b>2,24</b>	<b>2,24</b>	<b>2,24</b>	<b>2,24</b>	<b>2,24</b>	<b>2,01</b>	<b>1,76</b>
	II	<b>2,24</b>	<b>2,24</b>	<b>2,24</b>	<b>2,24</b>	<b>2,24</b>	<b>2,24</b>	<b>2,24</b>	<b>2,24</b>	<b>2,24</b>	<b>2,01</b>	<b>1,76</b>
	III	<b>2,24</b>	<b>2,24</b>	<b>2,24</b>	<b>2,24</b>	<b>2,24</b>	<b>2,24</b>	<b>2,24</b>	<b>2,24</b>	<b>2,24</b>	<b>2,01</b>	<b>1,76</b>
multiple span	I	<b>2,32</b>	<b>2,32</b>	<b>2,32</b>	<b>2,32</b>	<b>2,32</b>	<b>2,32</b>	<b>2,32</b>	<b>2,32</b>	<b>2,32</b>	<b>2,01</b>	<b>1,76</b>
	II	<b>2,32</b>	<b>2,32</b>	<b>2,32</b>	<b>2,32</b>	<b>2,32</b>	<b>2,32</b>	<b>2,32</b>	<b>2,32</b>	<b>2,32</b>	<b>2,01</b>	<b>1,76</b>
	III	<b>2,32</b>	<b>2,32</b>	<b>2,32</b>	<b>2,32</b>	<b>2,32</b>	<b>2,32</b>	<b>2,32</b>	<b>2,32</b>	<b>2,32</b>	<b>2,01</b>	<b>1,76</b>

Subject to changes · As of 02/24

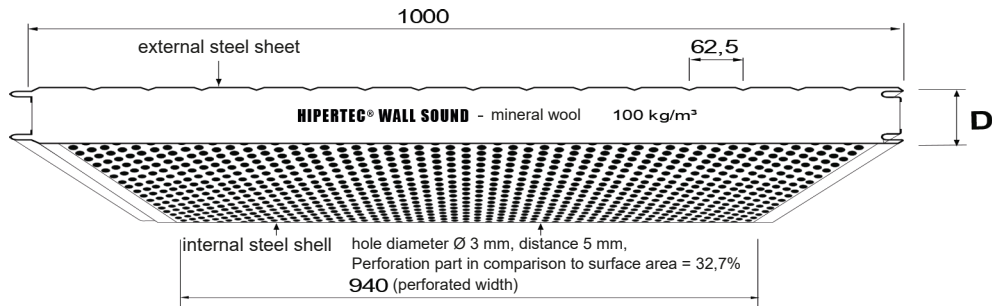


# Span table 07B-12

## Hipertec Wall Sound d = 120 mm

$t_N = 0,60 / 0,60$  mm

The following maximum spans have been calculated according Zulassung Z-10.49-517 of May 20th 2022 for Metecno sandwich panels with mineral wool core. For the perforated internal sheets, reduced surface due to perforation as well as reduced crease tension have been taken into account. Sandwich panels with perforated sheets are not covered by DIN EN 14509. Instructions for the use of the table can be found on the cover sheet.



### Valid supporting widths [m] for wind pressure

stat. system	colour group	wind pressure in kN / m <sup>2</sup>										
		0,25	0,30	0,40	0,50	0,60	0,80	1,00	1,25	1,50	1,75	2,00
single span	I, II, III	40 9,95	40 9,08	45 7,86	50 7,04	55 6,42	60 5,29	60 4,23	60 3,38	60 2,82	60 2,42	60 2,12
dual span	I	40 2,41 60	40 2,39 60	40 2,36 60	40 2,34 60	40 2,31 60	40 2,26 60	40 2,22 63	40 2,18 78	46 2,13 91	52 2,10 105	59 2,06 117
	II	40 2,41 60	40 2,39 60	40 2,36 60	40 2,34 60	40 2,31 60	40 2,26 60	40 2,22 63	40 2,18 78	46 2,13 91	52 2,10 105	59 2,06 117
	III	40 2,41 60	40 2,39 60	40 2,36 60	40 2,34 60	40 2,31 60	40 2,26 60	40 2,22 63	40 2,18 78	46 2,13 91	52 2,10 105	59 2,06 117
multiple span	I	40 2,39 60	40 2,36 60	40 2,31 60	40 2,26 60	40 2,22 60	40 2,16 60	40 2,10 60	40 2,04 73	42 1,98 85	48 1,94 97	54 1,90 108
	II	40 2,39 60	40 2,36 60	40 2,31 60	40 2,26 60	40 2,22 60	40 2,16 60	40 2,10 60	40 2,04 73	42 1,98 85	48 1,94 97	54 1,90 108
	III	40 2,39 60	40 2,36 60	40 2,31 60	40 2,26 60	40 2,22 60	40 2,16 60	40 2,10 60	40 2,04 73	42 1,98 85	48 1,94 97	54 1,90 108

### Valid supporting widths [m] for wind suction

stat. system	colour group	wind suction in kN / m <sup>2</sup>										
		0,25	0,30	0,40	0,50	0,60	0,80	1,00	1,25	1,50	1,75	2,00
single span	I, II, III	7,21	6,58	5,70	5,10	4,65	4,03	3,60	3,22	2,82	2,42	2,12
dual span	I	2,50	2,50	2,50	2,50	2,50	2,50	2,50	2,50	2,50	2,42	2,12
	II	2,50	2,50	2,50	2,50	2,50	2,50	2,50	2,50	2,50	2,42	2,12
	III	2,50	2,50	2,50	2,50	2,50	2,50	2,50	2,50	2,50	2,42	2,12
multiple span	I	2,58	2,58	2,58	2,58	2,58	2,58	2,58	2,58	2,58	2,42	2,12
	II	2,58	2,58	2,58	2,58	2,58	2,58	2,58	2,58	2,58	2,42	2,12
	III	2,58	2,58	2,58	2,58	2,58	2,58	2,58	2,58	2,58	2,42	2,12

Subject to changes · As of 02/24

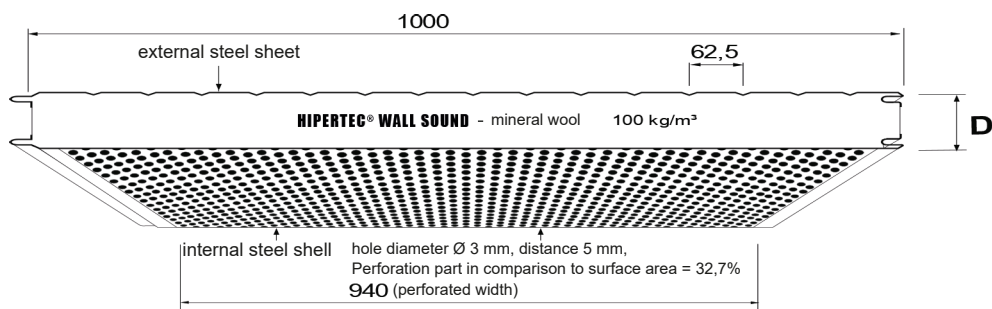


# Span table 07B-15

## Hipertec Wall Sound d = 150 mm

$t_N = 0,60 / 0,60$  mm

The following maximum spans have been calculated according Zulassung Z-10.49-517 of May 20th 2022 for Metecno sandwich panels with mineral wool core. For the perforated internal sheets, reduced surface due to perforation as well as reduced crease tension have been taken into account. Sandwich panels with perforated sheets are not covered by DIN EN 14509. Instructions for the use of the table can be found on the cover sheet.



### Valid supporting widths [m] for wind pressure

stat. system	colour group	wind pressure in kN / m <sup>2</sup>										
		0,25	0,30	0,40	0,50	0,60	0,80	1,00	1,25	1,50	1,75	2,00
single span	I, II, III	41 <b>11,63</b>	45 <b>10,62</b>	52 <b>9,20</b>	59 <b>8,23</b>	64 <b>7,51</b>	74 <b>6,50</b>	76 <b>5,30</b>	76 <b>4,24</b>	76 <b>3,53</b>	76 <b>3,03</b>	76 <b>2,65</b>
dual span	I	40 <b>4,36</b> 60	40 <b>4,24</b> 60	40 <b>4,06</b> 60	40 <b>3,92</b> 60	40 <b>3,80</b> 65	41 <b>3,60</b> 82	49 <b>3,46</b> 99	59 <b>3,31</b> 118	68 <b>3,20</b> 137	76 <b>3,03</b> 151	76 <b>2,65</b> 151
	II	40 <b>4,36</b> 60	40 <b>4,24</b> 60	40 <b>4,06</b> 60	40 <b>3,92</b> 60	40 <b>3,80</b> 65	41 <b>3,60</b> 82	49 <b>3,46</b> 99	59 <b>3,31</b> 118	68 <b>3,20</b> 137	76 <b>3,03</b> 151	76 <b>2,65</b> 151
	III	40 <b>3,87</b> 60	40 <b>3,87</b> 60	40 <b>3,87</b> 60	40 <b>3,87</b> 60	40 <b>3,80</b> 65	41 <b>3,60</b> 82	49 <b>3,46</b> 99	59 <b>3,31</b> 118	68 <b>3,20</b> 137	76 <b>3,03</b> 151	76 <b>2,65</b> 151
multiple span	I	40 <b>6,62</b> 60	40 <b>6,15</b> 60	40 <b>5,51</b> 63	40 <b>5,07</b> 72	41 <b>4,74</b> 81	49 <b>4,28</b> 98	56 <b>3,96</b> 113	66 <b>3,68</b> 131	76 <b>3,46</b> 148	76 <b>3,03</b> 151	76 <b>2,65</b> 151
	II	40 <b>6,62</b> 60	40 <b>6,15</b> 60	40 <b>5,51</b> 63	40 <b>5,07</b> 72	41 <b>4,74</b> 81	49 <b>4,28</b> 98	56 <b>3,96</b> 113	66 <b>3,68</b> 131	76 <b>3,46</b> 148	76 <b>3,03</b> 151	76 <b>2,65</b> 151
	III	40 <b>6,62</b> 60	40 <b>6,15</b> 60	40 <b>5,51</b> 63	40 <b>5,07</b> 72	41 <b>4,74</b> 81	49 <b>4,28</b> 98	56 <b>3,96</b> 113	66 <b>3,68</b> 131	76 <b>3,46</b> 148	76 <b>3,03</b> 151	76 <b>2,65</b> 151

### Valid supporting widths [m] for wind suction

stat. system	colour group	wind suction in kN / m <sup>2</sup>										
		0,25	0,30	0,40	0,50	0,60	0,80	1,00	1,25	1,50	1,75	2,00
single span	I, II, III	<b>9,25</b>	<b>8,44</b>	<b>7,31</b>	<b>6,54</b>	<b>5,97</b>	<b>5,17</b>	<b>4,62</b>	<b>4,14</b>	<b>3,53</b>	<b>3,03</b>	<b>2,65</b>
dual span	I	<b>5,55</b>	<b>5,55</b>	<b>5,55</b>	<b>5,55</b>	<b>5,38</b>	<b>4,91</b>	<b>4,59</b>	<b>4,14</b>	<b>3,53</b>	<b>3,03</b>	<b>2,65</b>
	II	<b>5,55</b>	<b>5,55</b>	<b>5,55</b>	<b>5,55</b>	<b>5,38</b>	<b>4,91</b>	<b>4,59</b>	<b>4,14</b>	<b>3,53</b>	<b>3,03</b>	<b>2,65</b>
	III	<b>3,58</b>	<b>3,54</b>	<b>3,46</b>	<b>3,40</b>	<b>3,34</b>	<b>3,23</b>	<b>3,14</b>	<b>3,06</b>	<b>2,98</b>	<b>2,91</b>	<b>2,65</b>
multiple span	I	<b>9,25</b>	<b>8,44</b>	<b>7,31</b>	<b>6,54</b>	<b>5,97</b>	<b>5,17</b>	<b>4,62</b>	<b>4,14</b>	<b>3,53</b>	<b>3,03</b>	<b>2,65</b>
	II	<b>9,25</b>	<b>8,44</b>	<b>7,31</b>	<b>6,54</b>	<b>5,97</b>	<b>5,17</b>	<b>4,62</b>	<b>4,14</b>	<b>3,53</b>	<b>3,03</b>	<b>2,65</b>
	III	<b>4,96</b>	<b>4,74</b>	<b>4,40</b>	<b>4,16</b>	<b>3,97</b>	<b>3,69</b>	<b>3,48</b>	<b>3,30</b>	<b>3,14</b>	<b>3,02</b>	<b>2,65</b>

Subject to changes · As of 02/24

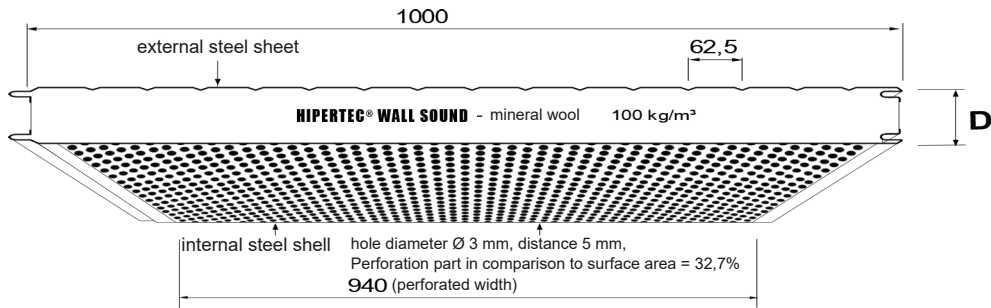


# Span table 07B-20

## Hipertec Wall Sound d = 200 mm

$t_N = 0,60 / 0,60$  mm

The following maximum spans have been calculated according Zulassung Z-10.49-517 of May 20th 2022 for Metecno sandwich panels with mineral wool core. For the perforated internal sheets, reduced surface due to perforation as well as reduced crease tension have been taken into account. Sandwich panels with perforated sheets are not covered by DIN EN 14509. Instructions for the use of the table can be found on the cover sheet.



### Valid supporting widths [m] for wind pressure

stat. system	colour group	wind pressure in kN / m <sup>2</sup>										
		0,25	0,30	0,40	0,50	0,60	0,80	1,00	1,25	1,50	1,75	2,00
single span	I, II, III	48 <b>13,44</b>	52 <b>12,27</b>	61 <b>10,63</b>	68 <b>9,51</b>	74 <b>8,68</b>	86 <b>7,52</b>	96 <b>6,72</b>	101 <b>5,66</b>	101 <b>4,72</b>	101 <b>4,04</b>	101 <b>3,54</b>
dual span	I	40 <b>5,03</b> 60	40 <b>4,90</b> 60	40 <b>4,69</b> 60	40 <b>4,52</b> 67	40 <b>4,38</b> 75	47 <b>4,16</b> 95	57 <b>4,00</b> 114	68 <b>3,83</b> 136	79 <b>3,69</b> 158	89 <b>3,58</b> 179	99 <b>3,48</b> 198
	II	40 <b>5,03</b> 60	40 <b>4,90</b> 60	40 <b>4,69</b> 60	40 <b>4,52</b> 67	40 <b>4,38</b> 75	47 <b>4,16</b> 95	57 <b>4,00</b> 114	68 <b>3,83</b> 136	79 <b>3,69</b> 158	89 <b>3,58</b> 179	99 <b>3,48</b> 198
	III	40 <b>4,47</b> 60	40 <b>4,47</b> 60	40 <b>4,47</b> 60	40 <b>4,47</b> 66	40 <b>4,38</b> 75	47 <b>4,16</b> 95	57 <b>4,00</b> 114	68 <b>3,83</b> 136	79 <b>3,69</b> 158	89 <b>3,58</b> 179	99 <b>3,48</b> 198
multiple span	I	40 <b>7,63</b> 60	40 <b>7,10</b> 61	40 <b>6,36</b> 73	42 <b>5,85</b> 83	47 <b>5,47</b> 94	56 <b>4,94</b> 113	65 <b>4,58</b> 131	76 <b>4,25</b> 151	86 <b>4,00</b> 171	95 <b>3,81</b> 190	101 <b>3,54</b> 202
	II	40 <b>7,63</b> 60	40 <b>7,10</b> 61	40 <b>6,36</b> 73	42 <b>5,85</b> 83	47 <b>5,47</b> 94	56 <b>4,94</b> 113	65 <b>4,58</b> 131	76 <b>4,25</b> 151	86 <b>4,00</b> 171	95 <b>3,81</b> 190	101 <b>3,54</b> 202
	III	40 <b>7,63</b> 60	40 <b>7,10</b> 61	40 <b>6,36</b> 73	42 <b>5,85</b> 83	47 <b>5,47</b> 94	56 <b>4,94</b> 113	65 <b>4,58</b> 131	76 <b>4,25</b> 151	86 <b>4,00</b> 171	95 <b>3,81</b> 190	101 <b>3,54</b> 202

### Valid supporting widths [m] for wind suction

stat. system	colour group	wind suction in kN / m <sup>2</sup>										
		0,25	0,30	0,40	0,50	0,60	0,80	1,00	1,25	1,50	1,75	2,00
single span	I, II, III	<b>10,69</b>	<b>9,76</b>	<b>8,45</b>	<b>7,56</b>	<b>6,90</b>	<b>5,98</b>	<b>5,34</b>	<b>4,78</b>	<b>4,36</b>	<b>4,04</b>	<b>3,54</b>
dual span	I	<b>6,40</b>	<b>6,40</b>	<b>6,40</b>	<b>6,40</b>	<b>6,21</b>	<b>5,67</b>	<b>5,30</b>	<b>4,78</b>	<b>4,36</b>	<b>4,04</b>	<b>3,54</b>
	II	<b>6,40</b>	<b>6,40</b>	<b>6,40</b>	<b>6,40</b>	<b>6,21</b>	<b>5,67</b>	<b>5,30</b>	<b>4,78</b>	<b>4,36</b>	<b>4,04</b>	<b>3,54</b>
	III	<b>4,14</b>	<b>4,09</b>	<b>4,00</b>	<b>3,92</b>	<b>3,85</b>	<b>3,74</b>	<b>3,64</b>	<b>3,53</b>	<b>3,44</b>	<b>3,36</b>	<b>3,29</b>
multiple span	I	<b>10,69</b>	<b>9,76</b>	<b>8,45</b>	<b>7,56</b>	<b>6,90</b>	<b>5,98</b>	<b>5,34</b>	<b>4,78</b>	<b>4,36</b>	<b>4,04</b>	<b>3,54</b>
	II	<b>10,69</b>	<b>9,76</b>	<b>8,45</b>	<b>7,56</b>	<b>6,90</b>	<b>5,98</b>	<b>5,34</b>	<b>4,78</b>	<b>4,36</b>	<b>4,04</b>	<b>3,54</b>
	III	<b>5,73</b>	<b>5,47</b>	<b>5,08</b>	<b>4,80</b>	<b>4,58</b>	<b>4,26</b>	<b>4,02</b>	<b>3,80</b>	<b>3,64</b>	<b>3,50</b>	<b>3,38</b>

Subject to changes · As of 02/24

