

General notes on span tables for wall panels

Note the following:

- The characteristic loads are to be determined according to the terms of valid standards and eurocodes.
- Choose the minimal supporting width from wind pressure and wind suction for the respective case of application.
- Colour groups I (very light), II (light) and III (dark) – see approval.
- This span table is valid for buildings with normal interior climate (no cold store or ripening facilities).
- Valid supporting widths are stated in meters (m), necessary support widths in millimetres (mm), see example below.
- Deflection amounts to a maximum of $L/200$ under consideration of all unfavourable loads according to approval.
- The stated supporting widths apply to multi-span beams and direct attachment up to max. 5 screws per intermediate support line and meter. When using more than 5 screws per meter, the crush tension needs to be checked according the requirements of the approval.
- In each case a separate proof for fixing material is required (for tensile load of wind suction and temperature, for pulling-out of the subconstruction and for screw-head-deflection).

Example:

From wind pressure table:

40
5,05
60

- end support width necessary (mm)
- valid supporting width (m)
- intermediate support width necessary (mm)

From wind suction table:

4,73

- valid supporting width (m)

valid supporting width = 3,44 m

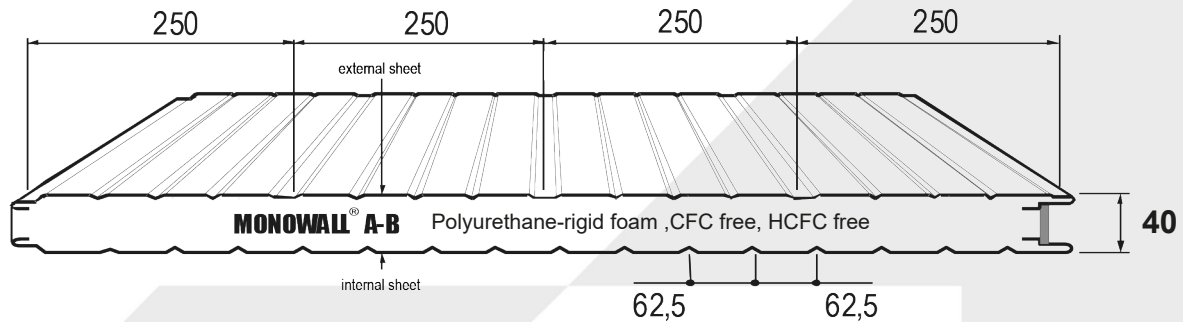
(lowest value of both tables)

Span Table 21-04

As of 11 / 2018

Monowall (F/S) d = 40 mm t_N = 0,60 / 0,45 mm, S320GD

Max. valid supporting widths stated in the following are calculated according to approval Z-10.49-516 with additions from 23rd of June 2011 in accordance with EN 14509. Instructions for the application of the table can be gathered from the front page.



Wind Pressure Loads

Stat. System	Colour Group	Characteristic Wind Pressure Load in kN / m ²										
		0,25	0,30	0,40	0,50	0,60	0,80	1,00	1,25	1,50	1,75	2,00
single span	I, II, III	40 4,67	40 4,54	40 4,27	40 4,05	40 3,83	40 3,47	40 3,20	40 2,92	40 2,67	40 2,47	40 2,31
dual span	I, II	40 4,80 60	40 4,47 60	40 4,02 60	40 3,71 60	40 3,48 60	40 3,16 60	40 2,93 60	40 2,73 60	40 2,57 67	40 2,45 75	40 2,31 80
	III	40 4,80 60	40 4,47 60	40 4,02 60	40 3,71 60	40 3,48 60	40 3,16 60	40 2,93 60	40 2,73 60	40 2,57 67	40 2,45 75	40 2,31 80
multiple span	I, II	40 6,32 60	40 5,80 60	40 5,07 60	40 4,57 60	40 4,20 60	40 3,66 60	40 3,27 60	40 2,92 64	40 2,67 70	40 2,47 75	40 2,31 80
	III	40 6,32 60	40 5,80 60	40 5,07 60	40 4,57 60	40 4,20 60	40 3,66 60	40 3,27 60	40 2,92 64	40 2,67 70	40 2,47 75	40 2,31 80

Wind Suction Loads

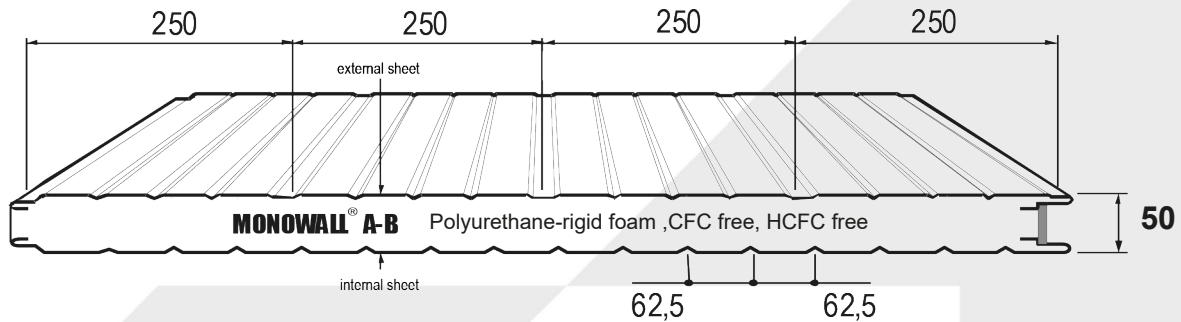
Stat. System	Colour Group	Characteristic Wind Suction Load in kN / m ²										
		0,25	0,30	0,40	0,50	0,60	0,80	1,00	1,25	1,50	1,75	2,00
single span	I, II, III	3,89	3,79	3,62	3,48	3,36	3,15	2,97	2,65	2,42	2,24	2,10
dual span	I	5,93	5,42	4,69	4,20	3,83	3,32	2,97	2,65	2,42	2,24	2,10
	II	5,47	5,07	4,51	4,13	3,83	3,32	2,97	2,65	2,42	2,24	2,10
	III	3,44	3,30	3,09	2,94	2,81	2,63	2,49	2,36	2,26	2,18	2,10
multiple span	I	5,93	5,42	4,69	4,20	3,83	3,32	2,97	2,65	2,42	2,24	2,10
	II	5,93	5,42	4,69	4,20	3,83	3,32	2,97	2,65	2,42	2,24	2,10
	III	4,98	4,60	4,07	3,71	3,44	3,08	2,82	2,60	2,42	2,24	2,10

Span Table 21-05

As of 11 / 2018

Monowall (F/S) d = 50 mm
t_N = 0,60 / 0,45 mm, S320GD

Max. valid supporting widths stated in the following are calculated according to approval Z-10.49-516 with additions from 23rd of June 2011 in accordance with EN 14509. Instructions for the application of the table can be gathered from the front page.



Wind Pressure Loads

Stat. System	Colour Group	Characteristic Wind Pressure Load in kN / m ²										
		0,25	0,30	0,40	0,50	0,60	0,80	1,00	1,25	1,50	1,75	2,00
single span	I, II, III	40 5,71	40 5,50	40 5,16	40 4,84	40 4,56	40 4,10	40 3,67	40 3,28	40 3,00	42 2,77	45 2,59
dual span	I, II	40 5,38 60	40 5,02 60	40 4,51 60	40 4,16 60	40 3,90 60	40 3,54 60	40 3,29 60	40 3,06 67	40 2,89 75	42 2,75 84	45 2,59 90
	III	40 5,38 60	40 5,02 60	40 4,51 60	40 4,16 60	40 3,90 60	40 3,54 60	40 3,29 60	40 3,06 67	40 2,89 75	42 2,75 84	45 2,59 90
multiple span	I, II	40 7,09 60	40 6,50 60	40 5,68 60	40 5,13 60	40 4,72 60	40 4,10 60	40 3,67 64	40 3,28 71	40 3,00 78	42 2,77 84	45 2,59 90
	III	40 7,09 60	40 6,50 60	40 5,68 60	40 5,13 60	40 4,72 60	40 4,10 60	40 3,67 64	40 3,28 71	40 3,00 78	42 2,77 84	45 2,59 90

Wind Suction Loads

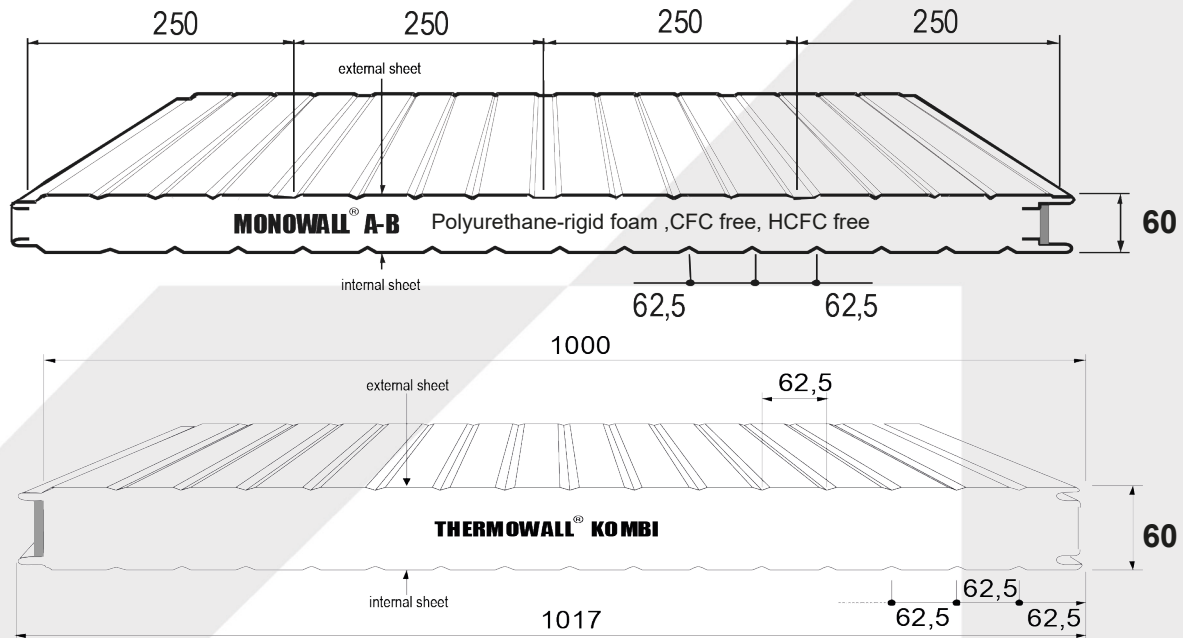
Stat. System	Colour Group	Characteristic Wind Suction Load in kN / m ²										
		0,25	0,30	0,40	0,50	0,60	0,80	1,00	1,25	1,50	1,75	2,00
single span	I, II, III	4,78	4,66	4,43	4,25	4,09	3,72	3,33	2,98	2,72	2,52	2,35
dual span	I	6,66	6,08	5,26	4,71	4,30	3,72	3,33	2,98	2,72	2,52	2,35
	II	6,13	5,69	5,06	4,64	4,30	3,72	3,33	2,98	2,72	2,52	2,35
	III	3,86	3,71	3,47	3,30	3,16	2,95	2,80	2,65	2,54	2,45	2,35
multiple span	I	6,66	6,08	5,26	4,71	4,30	3,72	3,33	2,98	2,72	2,52	2,35
	II	6,66	6,08	5,26	4,71	4,30	3,72	3,33	2,98	2,72	2,52	2,35
	III	5,59	5,16	4,56	4,16	3,86	3,45	3,17	2,92	2,72	2,52	2,35

Span Table 21-06

As of 11 / 2018

Monowall (F/S) d = 60 mm and Thermowall-Kombi (S/S) d = 60 mm $t_N = 0,60 / 0,45$ mm, S320GD

Max. valid supporting widths stated in the following are calculated according to approval Z-10.49-516 with additions from 23rd of June 2011 in accordance with EN 14509. Instructions for the application of the table can be gathered from the front page.



Wind Pressure Loads

Stat. System	Colour Group	Characteristic Wind Pressure Load in kN / m ²											
		0,25	0,30	0,40	0,50	0,60	0,80	1,00	1,25	1,50	1,75	2,00	
single span	I, II, III	40	40	40	40	40	40	40	40	40	43	46	50
		6,67	6,42	5,98	5,57	5,20	4,50	4,03	3,60	3,83	3,04	2,85	
dual span	I, II, III	40	40	40	40	40	40	40	40	41	46	50	
		5,91	5,51	4,95	4,57	4,29	3,89	3,61	3,36	3,17	3,02	2,85	
multiple span	I, II, III	40	40	40	40	40	40	40	40	43	46	50	
		7,79	7,14	6,24	5,63	5,18	4,50	4,03	3,60	3,29	3,04	2,85	
		60	60	60	60	60	60	63	73	83	92	99	

Wind Suction Loads

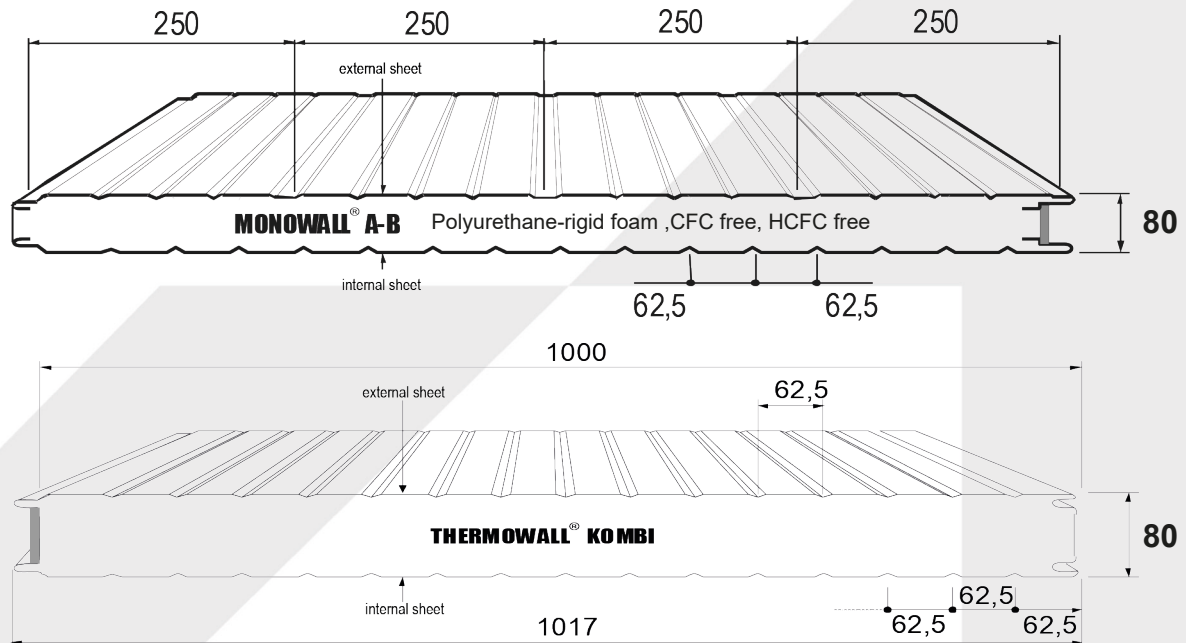
Stat. System	Colour Group	Characteristic Wind Suction Load in kN / m ²										
		0,25	0,30	0,40	0,50	0,60	0,80	1,00	1,25	1,50	1,75	2,00
single span	I, II, III	5,65	5,48	5,21	4,98	4,72	4,09	3,66	3,27	2,98	2,76	2,58
dual span	I	7,31	6,67	5,78	5,17	4,72	4,09	3,66	3,27	2,98	2,76	2,58
	II	6,73	6,24	5,56	5,09	4,72	4,09	3,66	3,27	2,98	2,76	2,58
	III	4,24	4,08	3,81	3,62	3,47	3,24	3,07	2,91	2,79	2,69	2,58
multiple span	I	7,31	6,67	5,78	5,17	4,72	4,09	3,66	3,27	2,98	2,76	2,58
	II	7,31	6,67	5,78	5,17	4,72	4,09	3,66	3,27	2,98	2,76	2,58
	III	6,13	5,67	5,01	4,57	4,24	3,79	3,48	3,21	2,98	2,76	2,58

Span Table 21-08

As of 11 / 2018

Monowall (F/S) d = 80 mm and Thermowall-Kombi (S/S) d = 80 mm $t_N = 0,60 / 0,45$ mm, S320GD

Max. valid supporting widths stated in the following are calculated according to approval Z-10.49-516 with additions from 23rd of June 2011 in accordance with EN 14509. Instructions for the application of the table can be gathered from the front page.



Wind Pressure Loads

Stat. System	Colour Group	Characteristic Wind Pressure Load in kN / m ²										
		0,25	0,30	0,40	0,50	0,60	0,80	1,00	1,25	1,50	1,75	2,00
single span	I, II, III	40	40	40	40	40	40	41	45	50	54	57
		8,46	8,09	7,38	6,60	6,02	5,22	4,66	4,17	3,81	3,53	3,30
dual span	I, II, III	40	40	40	40	40	40	40	43	49	54	57
		6,92	6,46	5,82	5,38	5,05	4,58	4,26	3,96	3,74	3,53	3,30
multiple span	I, II, III	40	40	40	40	40	40	41	45	50	54	57
		9,04	8,29	7,25	6,55	6,02	5,22	4,66	4,17	3,81	3,53	3,30
		60	60	60	60	60	64	74	86	98	107	115

Wind Suction Loads

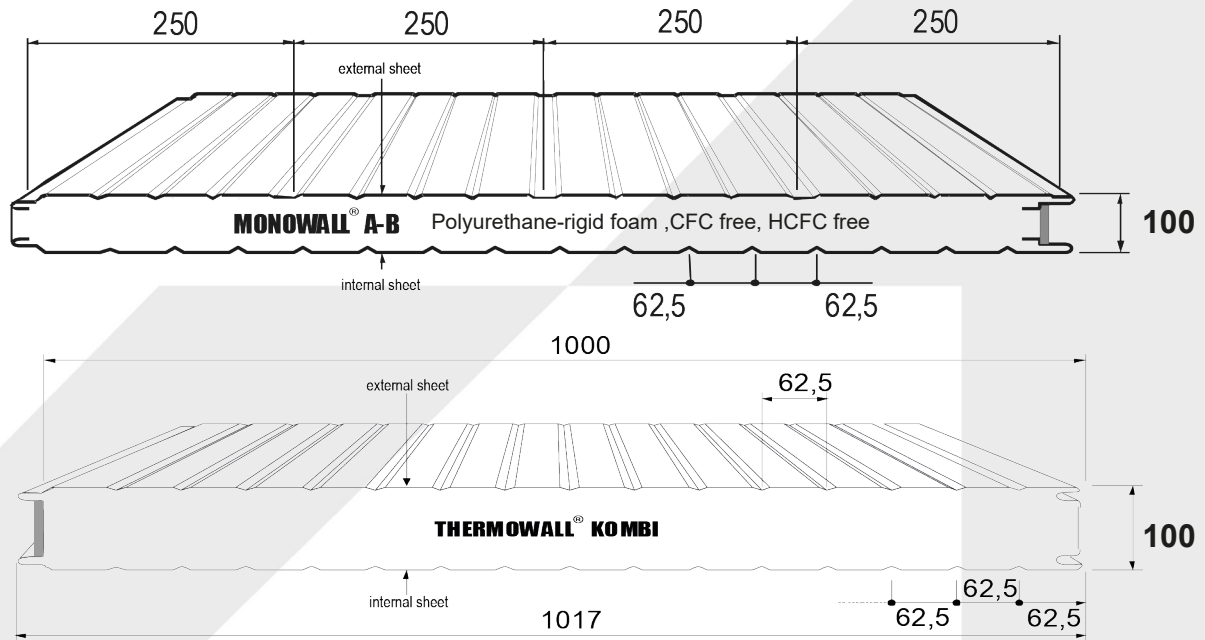
Stat. System	Colour Group	Characteristic Wind Suction Load in kN / m ²										
		0,25	0,30	0,40	0,50	0,60	0,80	1,00	1,25	1,50	1,75	2,00
single span	I, II, III	7,26	7,03	6,65	5,99	5,46	4,73	4,23	3,79	3,46	3,20	2,99
dual span	I	8,47	7,73	6,69	5,99	5,46	4,73	4,23	3,79	3,46	3,20	2,99
	II	7,86	7,30	6,50	5,97	5,46	4,73	4,23	3,79	3,46	3,20	2,99
	III	5,06	4,85	4,54	4,31	4,13	3,86	3,66	3,46	3,46	3,20	2,99
multiple span	I	8,47	7,73	6,69	5,99	5,46	4,73	4,23	3,79	3,46	3,20	2,99
	II	8,47	7,73	6,69	5,99	5,46	4,73	4,23	3,79	3,46	3,20	2,99
	III	7,15	6,61	5,86	5,35	4,97	4,44	4,09	3,77	3,46	3,20	2,99

Span Table 21-10

As of 11 / 2018

Monowall (F/S) d = 100 mm and Thermowall-Kombi (S/S) d = 100 mm $t_N = 0,60 / 0,45$ mm, S320GD

Max. valid supporting widths stated in the following are calculated according to approval Z-10.49-516 with additions from 23rd of June 2011 in accordance with EN 14509. Instructions for the application of the table can be gathered from the front page.



Wind Pressure Loads

Stat. System	Colour Group	Characteristic Wind Pressure Load in kN / m ²										
		0,25	0,30	0,40	0,50	0,60	0,80	1,00	1,25	1,50	1,75	2,00
single span	I, II, III	40	40	40	40	40	41	45	51	56	60	64
		10,12	9,54	8,26	7,39	6,74	5,84	5,22	4,67	4,27	3,95	3,69
dual span	I, II, III	40	40	40	40	40	40	41	48	55	60	64
		7,75	7,24	6,52	6,02	5,65	5,13	4,77	4,44	4,19	3,95	3,69
multiple span	I, II, III	40	40	40	40	40	41	45	51	56	60	64
		10,12	9,29	8,12	7,33	6,74	5,84	5,22	4,67	4,27	3,95	3,69
		60	60	60	60	60	71	83	97	109	120	128

Wind Suction Loads

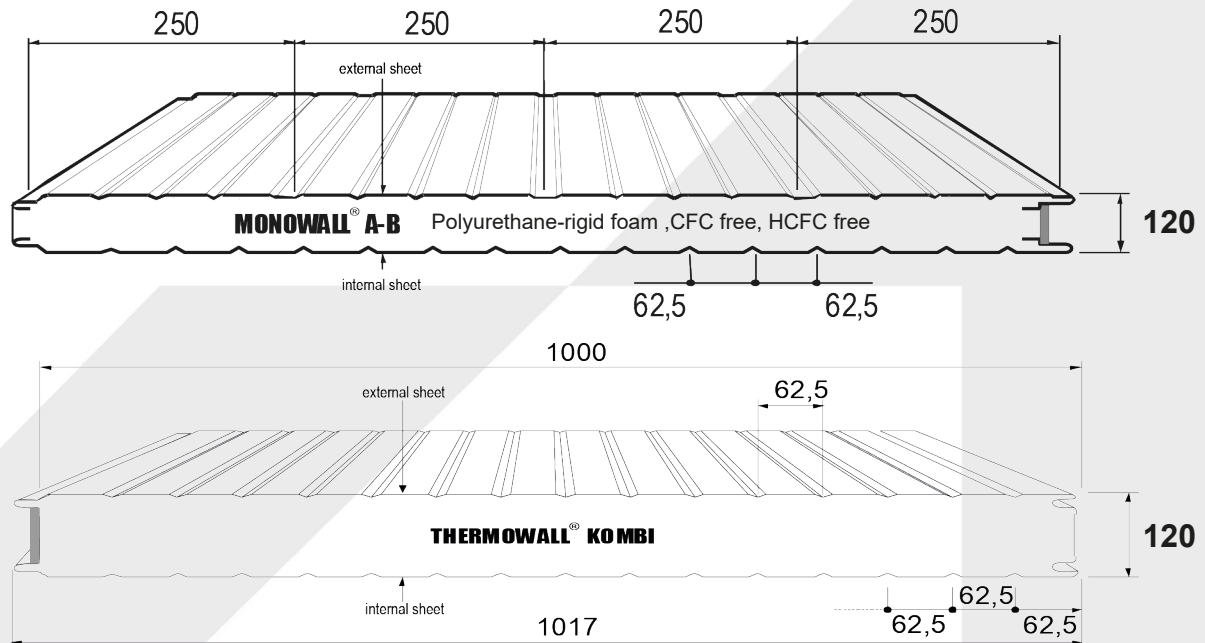
Stat. System	Colour Group	Characteristic Wind Suction Load in kN / m ²										
		0,25	0,30	0,40	0,50	0,60	0,80	1,00	1,25	1,50	1,75	2,00
single span	I, II, III	8,82	8,52	7,50	6,71	6,12	5,30	4,74	4,24	3,87	3,58	3,35
dual span	I	9,48	8,66	7,50	6,71	6,12	5,30	4,74	4,24	3,87	3,58	3,35
	II	8,81	8,17	7,28	6,68	6,12	5,30	4,74	4,24	3,87	3,58	3,35
	III	5,67	5,43	5,08	4,83	4,62	4,32	4,10	3,88	3,72	3,58	3,35
multiple span	I	9,48	8,66	7,50	6,71	6,12	5,30	4,74	4,24	3,87	3,58	3,35
	II	9,48	8,66	7,50	6,71	6,12	5,30	4,74	4,24	3,87	3,58	3,35
	III	8,01	7,40	6,56	5,99	5,57	4,98	4,58	4,22	3,87	3,58	3,35

Span Table 21-12

As of 11 / 2018

Monowall (F/S) d = 120 mm and Thermowall-Kombi (S/S) d = 120 mm $t_N = 0,60 / 0,45$ mm, S320GD

Max. valid supporting widths stated in the following are calculated according to approval Z-10.49-516 with additions from 23rd of June 2011 in accordance with EN 14509. Instructions for the application of the table can be gathered from the front page.



Wind Pressure Loads

Stat. System	Colour Group	Characteristic Wind Pressure Load in kN / m ²										
		0,25	0,30	0,40	0,50	0,60	0,80	1,00	1,25	1,50	1,75	2,00
single span	I, II, III	40	40	40	40	40	46	51	57	63	67	72
		11,67	10,71	9,27	8,29	7,57	6,56	5,86	5,24	4,79	4,43	4,15
dual span	I, II, III	40	40	40	40	40	40	47	54	61	67	72
		9,05	8,41	7,50	6,89	6,44	5,80	5,36	4,97	4,67	4,41	4,15
multiple span	I, II, III	40	40	40	40	40	46	51	57	63	67	72
		11,68	10,68	9,27	8,29	7,57	6,56	5,86	5,24	4,79	4,43	4,15
		60	60	60	60	67	81	93	108	122	134	144
		60	60	65	72	79	91	102	114	125	135	144

Wind Suction Loads

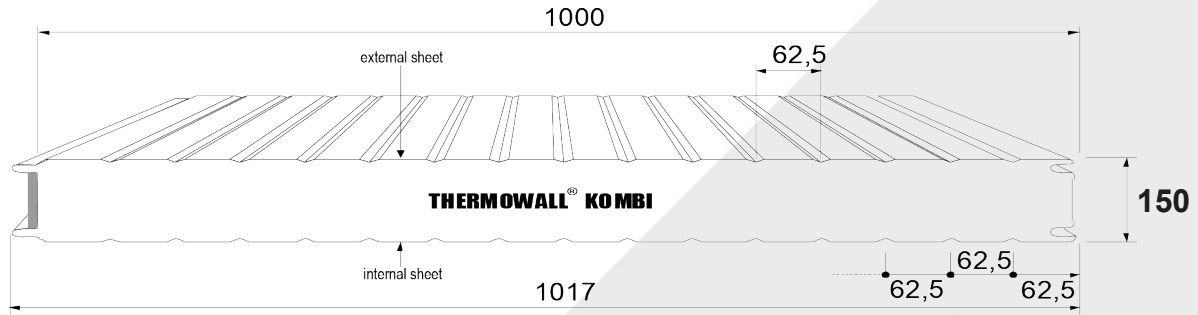
Stat. System	Colour Group	Characteristic Wind Suction Load in kN / m ²										
		0,25	0,30	0,40	0,50	0,60	0,80	1,00	1,25	1,50	1,75	2,00
single span	I, II, III	10,35	9,72	8,42	7,53	6,88	5,95	5,33	4,76	4,35	4,03	3,77
dual span	I	10,65	9,72	8,42	7,53	6,88	5,95	5,33	4,76	4,35	4,03	3,77
	II	10,00	9,25	8,20	7,49	6,88	5,95	5,33	4,76	4,35	4,03	3,77
	III	6,40	6,10	5,67	5,35	5,11	4,75	4,48	4,24	4,04	3,89	3,76
multiple span	I	10,65	9,72	8,42	7,53	6,88	5,95	5,33	4,76	4,35	4,03	3,77
	II	10,65	9,72	8,42	7,53	6,88	5,95	5,33	4,76	4,35	4,03	3,77
	III	9,34	8,60	7,58	6,89	6,38	5,67	5,18	4,75	4,35	4,03	3,77

Span Table 22-15

As of 11 / 2018

Thermowall-Kombi (S/S) d = 150 mm t_N = 0,60 / 0,45 mm, S320GD

Max. valid supporting widths stated in the following are calculated according to approval Z-10.49-516 with additions from 23rd of June 2011 in accordance with EN 14509. Instructions for the application of the table can be gathered from the front page.



Wind Pressure Loads

Stat. System	Colour Group	Characteristic Wind Pressure Load in kN / m ²											
		0,25	0,30	0,40	0,50	0,60	0,80	1,00	1,25	1,50	1,75	2,00	
single span	I, II, III	40	40	40	40	40	40	40	40	41	45	49	52
		13,58	12,40	10,74	9,60	8,76	7,59	6,79	6,07	5,54	5,13	4,80	
dual span	I, II	40	40	40	40	40	40	40	40	40	45	49	52
		11,22	10,38	9,20	8,40	7,82	7,00	6,42	5,87	5,56	5,13	4,80	
	III	60	60	60	60	60	61	70	80	89	98	104	
		40	40	40	40	40	40	40	40	45	49	52	
multiple span	I, II	13,58	12,40	10,74	9,60	8,76	7,59	6,79	6,07	5,54	5,13	4,80	
		60	60	60	60	60	66	74	83	90	98	104	
	III	40	40	40	40	40	40	40	41	45	49	52	
		13,58	12,40	10,74	9,60	8,76	7,59	6,79	6,07	5,54	5,13	4,80	

Wind Suction Loads

Stat. System	Colour Group	Characteristic Wind Suction Load in kN / m ²										
		0,25	0,30	0,40	0,50	0,60	0,80	1,00	1,25	1,50	1,75	2,00
single span	I, II, III	12,40	11,32	9,80	8,77	8,00	6,93	6,20	5,54	5,06	4,69	4,38
dual span	I	12,40	11,32	9,80	8,77	8,00	6,93	6,20	5,54	5,06	4,69	4,38
	II	12,07	11,13	9,80	8,77	8,00	6,93	6,20	5,54	5,06	4,69	4,38
	III	8,08	7,64	7,00	6,55	6,21	5,72	5,37	5,04	4,80	4,60	4,38
multiple span	I	12,40	11,32	9,80	8,77	8,00	6,93	6,20	5,54	5,06	4,69	4,38
	II	12,40	11,32	9,80	8,77	8,00	6,93	6,20	5,54	5,06	4,69	4,38
	III	11,63	10,69	9,37	8,48	7,82	6,91	6,20	5,54	5,06	4,69	4,38