

General notes on span tables for wall panels

Note the following:

- The characteristic loads are to be determined according to the terms of valid standards and eurocodes.
- Choose the minimal supporting width from wind pressure and wind suction for the respective case of application.
- Colour groups I (very light), II (light) and III (dark) – see approval.
- This span table is valid for buildings with normal interior climate (no cold store or ripening facilities).
- Valid supporting widths are stated in meters (m), necessary support widths in millimetres (mm), see example below.
- Deflection amounts to a maximum of $L/200$ under consideration of all unfavourable loads according to approval.
- **The stated supporting widths apply to multi-span beams and direct attachment up to max. 3 screws per intermediate support line and meter. When using more than 3 screws per meter, the crush tension needs to be checked according the requirements of the approval.**
- In each case a separate proof for fixing material is required (for tensile load of wind suction and temperature, for pulling-out of the subconstruction and for screw-head-deflection).

Example:

From wind pressure table:

40	→ end support width necessary (mm)
5,05	→ valid supporting width (m)
60	→ intermediate support width necessary (mm)

From wind suction table:

4,73	→ valid supporting width (m)
-------------	------------------------------

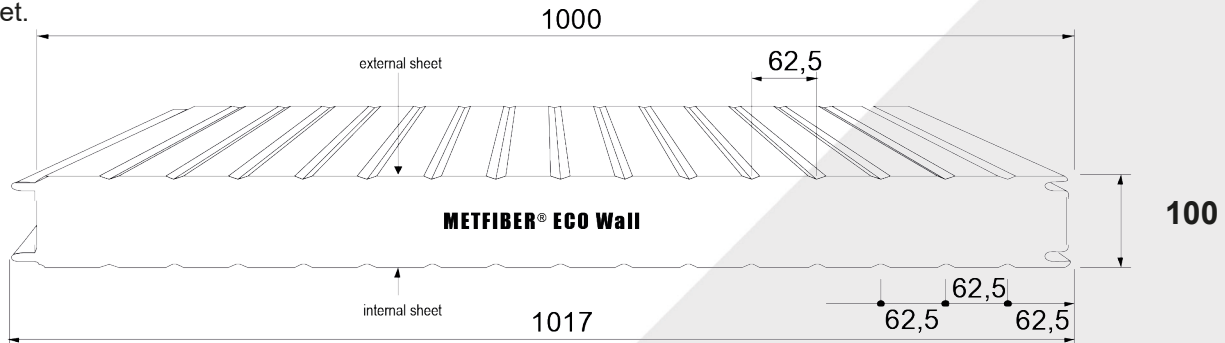
valid supporting width = 4,73 m
 From wind suction table:
 (lowest value of both tables)

Span Table 81-10-1

As of 11 / 2018

METFIBER ECO Wall 100 mm, $t_N = 0,50 / 0,50$ mm

Max. valid supporting widths stated in the following are calculated according to approval Z-10.49-613 with additions from 7th of August 2014 in accordance with EN 14509. Instructions for the application of the table can be gathered from the data sheet.



Wind Pressure Loads

Stat. System	Colour Group	Wind Pressure Load in kN / m ²										
		0,25	0,30	0,40	0,50	0,60	0,80	1,00	1,25	1,50	1,75	2,00
single span	I, II, III	40 9,26	42 8,45	48 7,32	54 6,55	59 5,98	68 5,18	76 4,63	83 4,03	83 3,36	83 2,88	83 2,52
dual span	I	40 8,35 69	40 7,80 77	46 7,02 93	54 6,49 107	59 5,98 118	68 5,18 137	76 4,63 153	83 4,03 166	83 3,36 166	83 2,88 166	83 2,52 166
	II	40 8,35 69	40 7,80 77	46 7,02 93	54 6,49 107	59 5,98 118	68 5,18 137	76 4,63 153	83 4,03 166	83 3,36 166	83 2,88 166	83 2,52 166
	III	40 4,50 60	40 4,50 60	40 4,50 60	40 4,50 74	45 4,50 89	59 4,50 119	74 4,50 153	83 4,03 166	83 3,36 166	83 2,88 166	83 2,52 166
multiple span	I	40 9,26 76	42 8,45 84	48 7,32 97	54 6,55 108	59 5,98 118	68 5,18 137	76 4,63 153	83 4,03 166	83 3,36 166	83 2,88 166	83 2,52 166
	II	40 9,26 76	42 8,45 84	48 7,32 97	54 6,55 108	59 5,98 118	68 5,18 137	76 4,63 153	83 4,03 166	83 3,36 166	83 2,88 166	83 2,52 166
	III	40 6,18 60	40 6,18 61	41 6,18 82	51 6,18 102	59 5,98 118	68 5,18 137	76 4,63 153	83 4,03 166	83 3,36 166	83 2,88 166	83 2,52 166

Wind Suction Loads

Stat. System	Colour Group	Wind Suction Load in kN / m ²										
		0,25	0,30	0,40	0,50	0,60	0,80	1,00	1,25	1,50	1,75	2,00
single span	I, II, III	9,64	8,80	7,62	6,82	6,22	5,39	4,82	4,03	3,36	2,88	2,52
dual span	I	8,19	7,63	6,85	6,31	5,86	5,24	4,82	4,03	3,36	2,88	2,52
	II	6,14	5,85	5,42	5,11	4,87	4,52	4,27	4,03	3,36	2,88	2,52
	III	4,00	3,94	3,83	3,73	3,65	3,51	3,40	3,20	3,19	2,88	2,52
multiple span	I	9,59	8,79	7,62	6,82	6,22	5,39	4,82	4,03	3,36	2,88	2,52
	II	7,76	7,18	6,38	5,84	5,43	4,87	4,49	4,03	3,36	2,88	2,52
	III	4,26	4,12	3,91	3,74	3,61	3,41	3,26	3,10	2,98	2,88	2,52

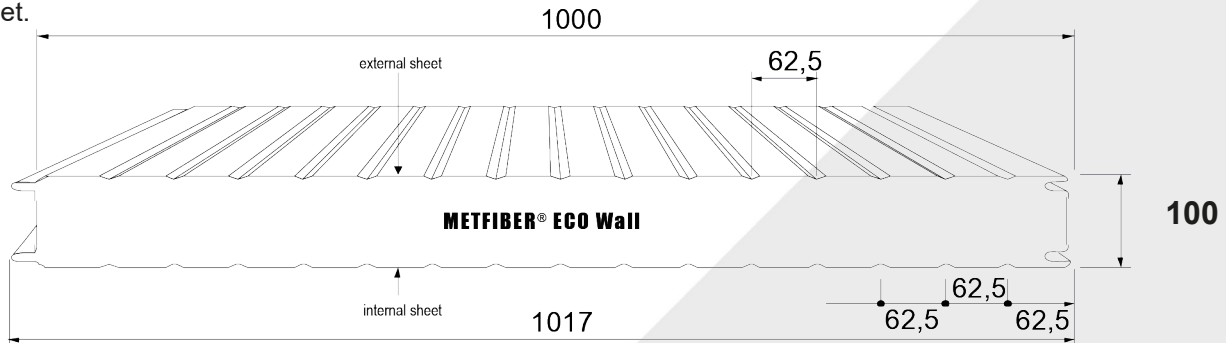
Span Table 81-10-2

As of 11 / 2018



METFIBER ECO Wall 100 mm, $t_N = 0,60 / 0,50$ mm

Max. valid supporting widths stated in the following are calculated according to approval Z-10.49-613 with additions from 7th of August 2014 in accordance with EN 14509. Instructions for the application of the table can be gathered from the data sheet.



Wind Pressure Loads

Stat. System	Colour Group	Wind Pressure Load in kN / m ²										
		0,25	0,30	0,40	0,50	0,60	0,80	1,00	1,25	1,50	1,75	2,00
single span	I, II, III	40 9,41	43 8,59	49 7,44	55 6,65	60 6,07	69 5,26	78 4,70	83 4,03	83 3,36	83 2,88	83 2,52
dual span	I	40 7,65 63	40 7,20 71	43 6,56 87	50 6,12 101	57 5,78 114	69 5,26 139	78 4,70 155	83 4,03 166	83 3,36 166	83 2,88 166	83 2,52 166
	II	40 7,65 63	40 7,20 71	43 6,56 87	50 6,12 101	57 5,78 114	69 5,26 139	78 4,70 155	83 4,03 166	83 3,36 166	83 2,88 166	83 2,52 166
	III	40 4,20 60	40 4,20 60	40 4,20 60	40 4,20 69	42 4,20 83	55 4,20 111	69 4,20 139	83 4,03 166	83 3,36 166	83 2,88 166	83 2,52 166
multiple span	I	40 9,41 78	43 8,59 85	49 7,44 98	55 6,65 110	60 6,07 120	69 5,26 139	78 4,70 155	83 4,03 166	83 3,36 166	83 2,88 166	83 2,52 166
	II	40 9,41 78	43 8,59 85	49 7,44 98	55 6,65 110	60 6,07 120	69 5,26 139	78 4,70 155	83 4,03 166	83 3,36 166	83 2,88 166	83 2,52 166
	III	40 4,58 60	40 4,58 60	40 4,58 60	40 4,58 76	45 4,58 91	60 4,58 121	76 4,58 151	83 4,03 166	83 3,36 166	83 2,88 166	83 2,52 166

Wind Suction Loads

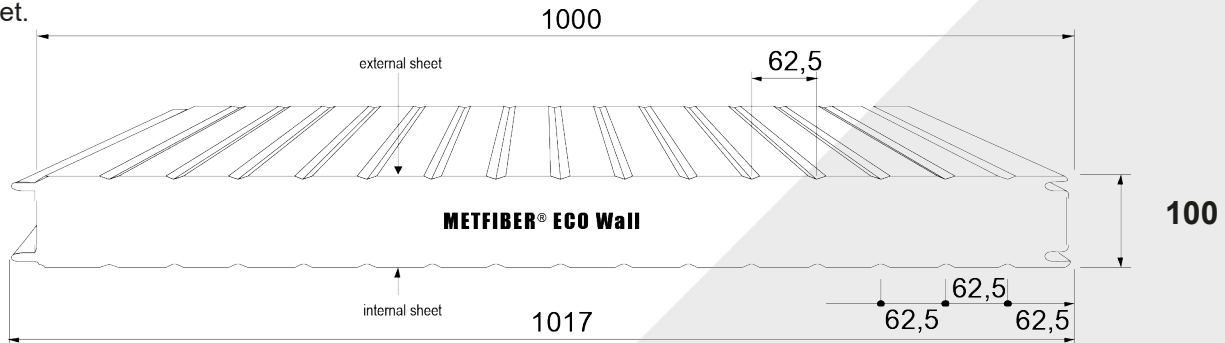
Stat. System	Colour Group	Wind Suction Load in kN / m ²										
		0,25	0,30	0,40	0,50	0,60	0,80	1,00	1,25	1,50	1,75	2,00
single span	I, II, III	9,64	8,80	7,62	6,82	6,22	5,39	4,82	4,03	3,36	2,88	2,52
dual span	I	7,96	7,44	6,72	6,22	5,85	5,30	4,82	4,03	3,36	2,88	2,52
	II	5,84	5,60	5,24	4,98	4,77	4,46	4,23	4,01	3,36	2,88	2,52
	III	3,86	3,80	3,72	3,64	3,57	3,45	3,36	3,26	3,17	2,88	2,52
multiple span	I	9,59	8,80	7,62	6,81	6,22	5,39	4,82	4,03	3,36	2,88	2,52
	II	7,25	6,75	6,05	5,57	5,21	4,71	4,36	4,03	3,36	2,88	2,52
	III	3,82	3,74	3,60	3,49	3,40	3,24	3,12	3,00	2,90	2,82	2,52

Span Table 81-10-3

As of 11 / 2018

METFIBER ECO Wall 100 mm, $t_N = 0,60 / 0,60$ mm

Max. valid supporting widths stated in the following are calculated according to approval Z-10.49-613 with additions from 7th of August 2014 in accordance with EN 14509. Instructions for the application of the table can be gathered from the data sheet.



Wind Pressure Loads

Stat. System	Colour Group	Wind Pressure Load in kN / m ²										
		0,25	0,30	0,40	0,50	0,60	0,80	1,00	1,25	1,50	1,75	2,00
single span	I, II, III	40 9,41	43 8,59	49 7,44	55 6,65	60 6,07	69 5,26	78 4,70	83 4,02	83 3,35	83 2,87	83 2,52
dual span	I	40 7,22 60	40 6,84 68	42 6,31 83	49 5,92 98	56 5,63 111	69 5,20 137	78 4,70 155	83 4,02 166	83 3,35 166	83 2,87 166	83 2,52 166
	II	40 7,22 60	40 6,84 68	42 6,31 83	49 5,92 98	56 5,63 111	69 5,20 137	78 4,70 155	83 4,02 166	83 3,35 166	83 2,87 166	83 2,52 166
	III	40 3,77 60	40 3,77 60	40 3,77 60	40 3,77 62	40 3,77 75	50 3,77 100	62 3,77 124	78 3,77 156	83 3,35 166	83 2,87 166	83 2,52 166
multiple span	I	40 9,16 76	42 8,46 84	49 7,44 98	55 6,65 110	60 6,07 120	69 5,26 139	78 4,70 155	83 4,02 166	83 3,35 166	83 2,87 166	83 2,51 166
	II	40 9,16 76	42 8,46 84	49 7,44 98	55 6,65 110	60 6,07 120	69 5,26 139	78 4,70 155	83 4,02 166	83 3,35 166	83 2,87 166	83 2,51 166
	III	40 3,50 60	40 3,50 60	40 3,50 60	40 3,50 60	40 3,50 69	46 3,50 92	58 3,50 116	72 3,50 144	83 3,35 166	83 2,87 166	83 2,51 166

Wind Suction Loads

Stat. System	Colour Group	Wind Suction Load in kN / m ²										
		0,25	0,30	0,40	0,50	0,60	0,80	1,00	1,25	1,50	1,75	2,00
single span	I, II, III	9,79	8,94	7,74	6,92	6,32	5,47	4,90	4,02	3,35	2,88	2,52
dual span	I	7,32	6,91	6,31	5,90	5,58	5,13	4,81	4,02	3,35	2,88	2,52
	II	5,24	5,09	4,84	4,65	4,49	4,24	4,06	3,88	3,35	2,88	2,52
	III	3,57	3,54	3,48	3,42	3,38	3,29	3,22	3,14	3,07	2,78	2,51
multiple span	I	8,98	8,28	7,31	6,66	6,18	5,47	4,90	4,02	3,35	2,88	2,52
	II	6,14	5,80	5,30	4,95	4,69	4,30	4,04	3,79	3,35	2,87	2,52
	III	3,24	3,20	3,14	3,08	3,02	2,93	2,85	2,77	2,70	2,64	2,51

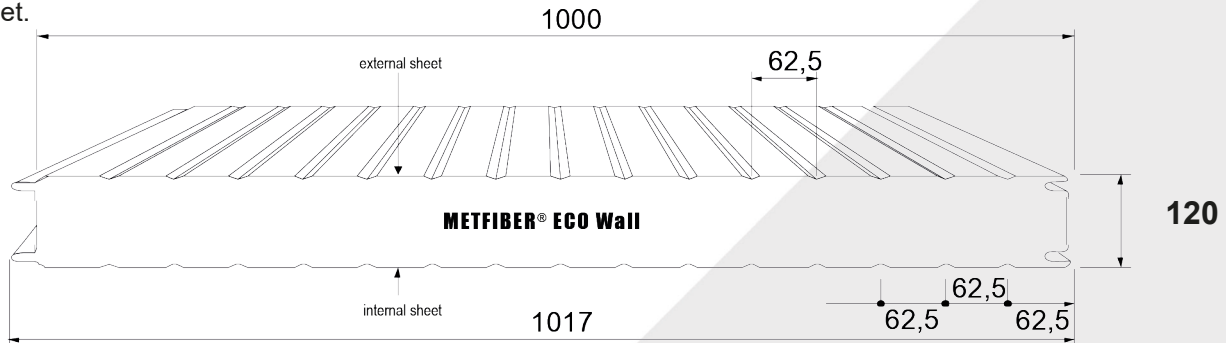
Span Table 81-12-1

As of 11 / 2018



METFIBER ECO Wall 120 mm, $t_N = 0,50 / 0,50$ mm

Max. valid supporting widths stated in the following are calculated according to approval Z-10.49-613 with additions from 7th of August 2014 in accordance with EN 14509. Instructions for the application of the table can be gathered from the data sheet.



Wind Pressure Loads

Stat. System	Colour Group	Wind Pressure Load in kN / m ²										
		0,25	0,30	0,40	0,50	0,60	0,80	1,00	1,25	1,50	1,75	2,00
single span	I, II, III	41 9,98	45 9,11	52 7,89	58 7,06	64 6,44	74 5,58	80 4,84	80 3,87	80 3,23	80 2,76	80 2,42
dual span	I	40 5,67 60	40 5,47 60	40 5,16 68	41 4,92 81	47 4,74 94	59 4,45 117	70 4,23 140	80 3,87 160	80 3,23 160	80 2,76 159	80 2,42 160
	II	40 5,67 60	40 5,47 60	40 5,16 68	41 4,92 81	47 4,74 94	59 4,45 117	70 4,23 140	80 3,87 160	80 3,23 160	80 2,76 159	80 2,42 160
	III	40 3,62 60	40 3,62 60	40 3,62 60	40 3,62 60	40 3,62 72	48 3,62 96	60 3,62 119	75 3,62 149	80 3,23 160	80 2,76 159	80 2,42 160
multiple span	I	40 6,90 60	40 6,46 64	40 5,83 77	45 5,40 89	50 5,08 101	61 4,62 122	71 4,30 142	80 3,87 160	80 3,23 160	80 2,76 159	80 2,42 160
	II	40 6,90 60	40 6,46 64	40 5,83 77	45 5,40 89	50 5,08 101	61 4,62 122	71 4,30 142	80 3,87 160	80 3,23 160	80 2,76 159	80 2,42 160
	III	40 3,29 60	40 3,29 60	40 3,29 60	40 3,29 60	40 3,29 65	43 3,29 87	54 3,29 109	68 3,29 136	80 3,23 160	80 2,76 159	80 2,42 160

Wind Suction Loads

Stat. System	Colour Group	Wind Suction Load in kN / m ²										
		0,25	0,30	0,40	0,50	0,60	0,80	1,00	1,25	1,50	1,75	2,00
single span	I, II, III	9,50	9,50	8,22	7,36	6,72	5,82	4,84	3,87	3,23	2,76	2,42
dual span	I	7,03	6,65	6,02	5,70	5,41	4,98	4,67	3,87	3,23	2,76	2,42
	II	5,02	4,88	4,66	4,48	4,34	4,11	3,94	3,76	3,23	2,76	2,42
	III	3,44	3,41	3,36	3,31	3,26	3,19	3,12	3,04	2,98	2,76	2,42
multiple span	I	8,61	7,95	7,03	6,41	5,95	5,32	4,84	3,87	3,23	2,76	2,42
	II	5,79	5,48	5,03	4,72	4,48	4,13	3,88	3,65	3,23	2,76	2,42
	III	3,08	3,05	2,99	2,94	2,89	2,81	2,74	2,66	2,60	2,55	2,42

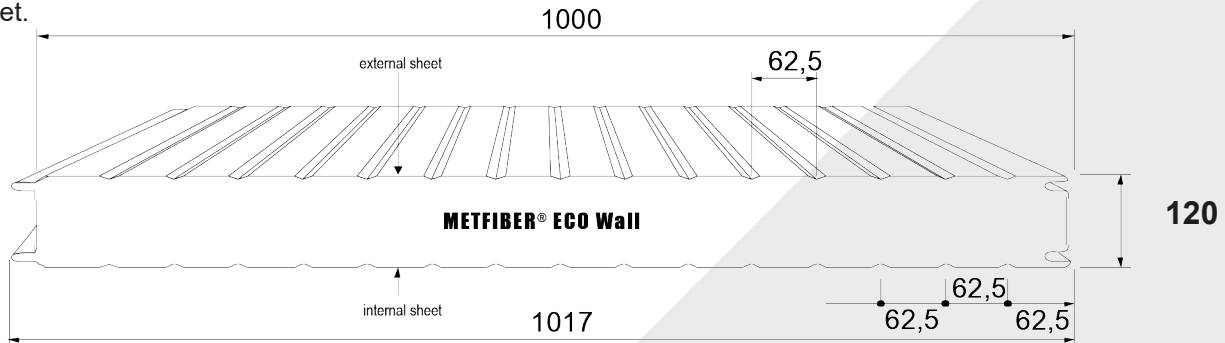
Span Table 81-12-2

As of 11 / 2018



METFIBER ECO Wall 120 mm, $t_N = 0,60 / 0,50$ mm

Max. valid supporting widths stated in the following are calculated according to approval Z-10.49-613 with additions from 7th of August 2014 in accordance with EN 14509. Instructions for the application of the table can be gathered from the data sheet.



Wind Pressure Loads

Stat. System	Colour Group	Wind Pressure Load in kN / m ²										
		0,25	0,30	0,40	0,50	0,60	0,80	1,00	1,25	1,50	1,75	2,00
single span	I, II, III	58 8,75	58 8,75	58 8,75	65 7,83	71 7,14	80 6,05	80 4,84	80 3,87	80 3,23	80 2,76	80 2,42
dual span	I	40 5,17 60	40 5,03 60	40 4,81 63	40 4,63 76	44 4,49 89	56 4,26 116	67 4,08 135	80 3,87 160	80 3,22 159	80 2,76 159	80 2,42 160
	II	40 5,17 60	40 5,03 60	40 4,81 63	40 4,63 76	44 4,49 89	56 4,26 116	67 4,08 135	80 3,87 160	80 3,22 159	80 2,76 159	80 2,42 160
	III	40 4,44 60	40 4,44 60	40 4,44 60	40 4,44 76	44 4,44 88	56 4,26 112	67 4,08 135	80 3,87 160	80 3,22 159	80 2,76 159	80 2,42 160
multiple span	I	40 5,88 60	40 5,58 60	40 5,15 68	40 4,84 80	46 4,60 91	56 4,25 112	66 4,00 132	78 3,77 156	80 3,22 159	80 2,76 159	80 2,42 160
	II	40 5,88 60	40 5,58 60	40 5,15 68	40 4,84 80	46 4,60 91	56 4,25 112	66 4,00 132	78 3,77 156	80 3,22 159	80 2,76 159	80 2,42 160
	III	40 4,62 60	40 4,62 60	40 4,62 61	40 4,62 76	46 4,60 91	56 4,25 112	66 4,00 132	78 3,77 156	80 3,22 159	80 2,76 159	80 2,42 160

Wind Suction Loads

Stat. System	Colour Group	Wind Suction Load in kN / m ²										
		0,25	0,30	0,40	0,50	0,60	0,80	1,00	1,25	1,50	1,75	2,00
single span	I, II, III	9,50	9,50	8,22	7,36	6,72	5,82	4,84	3,87	3,23	2,76	2,42
dual span	I	6,68	6,68	6,68	6,68	6,29	5,73	4,84	3,87	3,23	2,76	2,42
	II	6,19	5,95	5,59	5,32	5,11	4,78	4,55	3,87	3,23	2,76	2,42
	III	4,11	4,06	3,97	3,89	3,82	3,70	3,61	3,50	3,23	2,76	2,42
multiple span	I	9,49	9,49	8,22	7,36	6,71	5,82	4,84	3,87	3,23	2,76	2,42
	II	7,62	7,11	6,39	5,90	5,53	5,02	4,66	3,87	3,23	2,76	2,42
	III	4,00	3,92	3,87	3,68	3,59	3,44	3,32	3,20	3,10	2,76	2,42

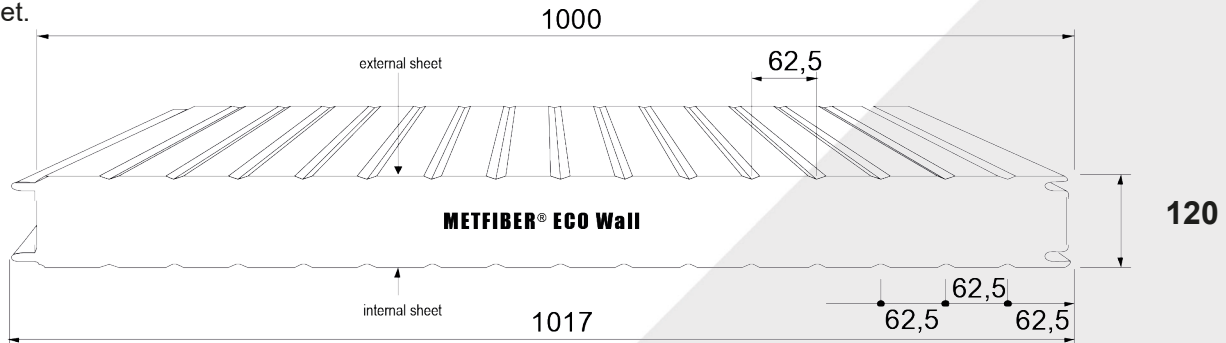
Span Table 81-12-3

As of 11 / 2018



METFIBER ECO Wall 120 mm, $t_N = 0,60 / 0,60$ mm

Max. valid supporting widths stated in the following are calculated according to approval Z-10.49-613 with additions from 7th of August 2014 in accordance with EN 14509. Instructions for the application of the table can be gathered from the data sheet.



Wind Pressure Loads

Stat. System	Colour Group	Wind Pressure Load in kN / m ²										
		0,25	0,30	0,40	0,50	0,60	0,80	1,00	1,25	1,50	1,75	2,00
single span	I, II, III	58 8,75	58 8,75	58 8,75	65 7,82	71 7,14	80 6,05	80 4,84	80 3,87	80 3,22	80 2,76	80 2,42
dual span	I	40 6,29 60	40 6,06 60	40 5,72 76	45 5,46 90	52 5,25 104	65 4,93 130	77 4,69 155	80 3,87 160	80 3,22 159	80 2,76 159	80 2,42 160
	II	40 6,29 60	40 6,06 60	40 5,72 76	45 5,46 90	52 5,25 104	65 4,93 130	77 4,69 155	80 3,87 160	80 3,22 159	80 2,76 159	80 2,42 160
	III	40 4,01 60	40 4,01 60	40 4,01 60	40 4,01 66	40 4,01 76	53 4,01 106	66 4,01 132	80 3,87 160	80 3,22 159	80 2,76 159	80 2,42 160
multiple span	I	40 7,65 63	40 7,16 71	43 6,46 85	49 5,99 99	56 5,63 111	68 5,12 135	79 4,77 157	80 3,87 160	80 3,22 159	80 2,76 159	80 2,42 160
	II	40 7,65 63	40 7,16 71	43 6,46 85	49 5,99 99	56 5,63 111	68 5,12 132	79 4,77 157	80 3,87 160	80 3,22 159	80 2,76 159	80 2,42 160
	III	40 3,65 60	40 3,65 60	40 3,65 60	40 3,65 60	40 3,65 72	48 3,65 96	60 3,65 120	75 3,65 151	80 3,22 159	80 2,76 159	80 2,42 160

Wind Suction Loads

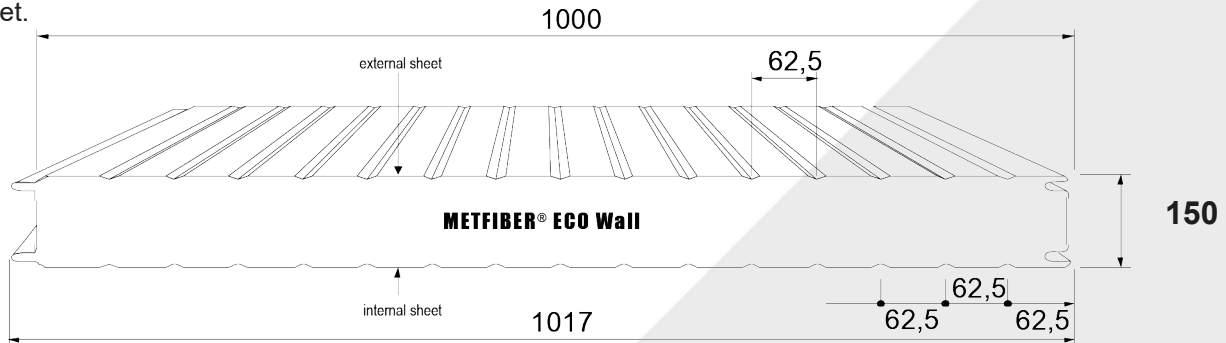
Stat. System	Colour Group	Wind Suction Load in kN / m ²										
		0,25	0,30	0,40	0,50	0,60	0,80	1,00	1,25	1,50	1,75	2,00
single span	I, II, III	9,12	9,12	9,12	8,15	7,44	6,05	4,84	3,87	3,22	2,76	2,42
dual span	I	7,80	7,37	6,75	6,32	5,99	5,52	4,84	3,87	3,22	2,76	2,42
	II	5,57	5,41	5,16	4,97	4,81	4,56	4,36	3,87	3,22	2,76	2,42
	III	3,82	3,78	3,72	3,67	3,62	3,53	3,46	3,38	3,22	2,76	2,42
multiple span	I	9,55	8,82	7,80	7,11	6,60	5,89	4,84	3,87	3,22	2,76	2,42
	II	6,41	6,07	5,58	5,23	4,97	4,58	4,30	3,87	3,22	2,76	2,42
	III	3,42	3,38	3,32	3,26	3,20	3,12	3,04	2,96	2,88	2,76	2,42

Span Table 81-15-1

As of 11 / 2018

METFIBER ECO Wall 150 mm, $t_N = 0,50 / 0,50$ mm

Max. valid supporting widths stated in the following are calculated according to approval Z-10.49-613 with additions from 7th of August 2014 in accordance with EN 14509. Instructions for the application of the table can be gathered from the data sheet.



Wind Pressure Loads

Stat. System	Colour Group	Wind Pressure Load in kN / m ²										
		0,25	0,30	0,40	0,50	0,60	0,80	1,00	1,25	1,50	1,75	2,00
single span	I, II, III	58 8,83	58 8,83	58 8,83	65 7,90	71 7,21	82 6,24	92 5,58	100 4,85	100 4,04	100 3,46	100 3,03
dual span	I	40 6,35 60	40 6,12 61	40 5,77 76	45 5,51 91	52 5,30 105	66 4,98 131	78 4,74 156	93 4,51 186	100 4,04 200	100 3,46 200	100 3,03 200
	II	40 6,35 60	40 6,12 61	40 5,77 76	45 5,51 91	52 5,30 105	66 4,98 131	78 4,74 156	93 4,51 186	100 4,04 200	100 3,46 200	100 3,03 200
	III	40 4,05 60	40 4,05 60	40 4,05 60	40 4,05 67	40 4,05 80	53 4,05 107	67 4,05 134	84 4,05 167	100 4,04 200	100 3,46 200	100 3,03 200
multiple span	I	40 7,72 64	40 7,22 71	43 6,52 86	50 6,04 100	56 5,68 112	68 5,17 136	80 4,82 159	93 4,49 185	100 4,04 200	100 3,46 200	100 3,03 200
	II	40 7,72 64	40 7,22 71	43 6,52 86	50 6,04 100	56 5,68 112	68 5,17 136	80 4,82 159	93 4,49 185	100 4,04 200	100 3,46 200	100 3,03 200
	III	40 3,68 60	40 3,68 60	40 3,68 60	40 3,68 61	40 3,68 73	49 3,68 97	61 3,68 121	76 3,68 152	91 3,68 182	100 3,46 200	100 3,03 200

Wind Suction Loads

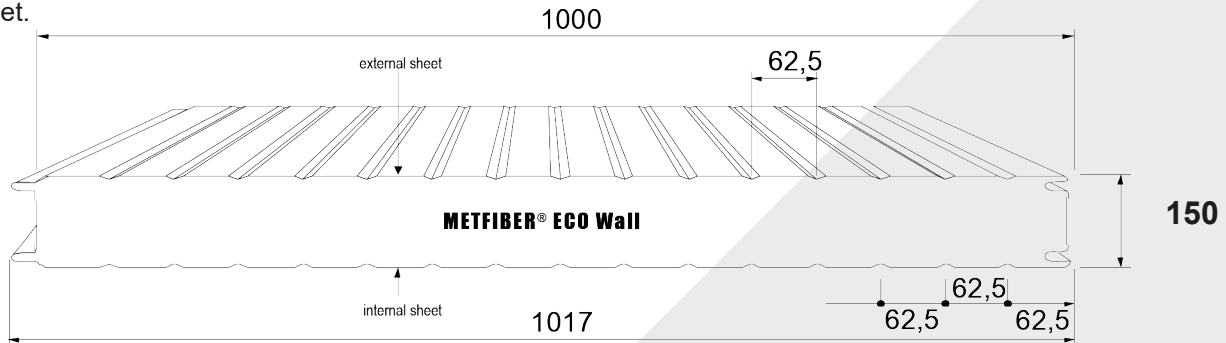
Stat. System	Colour Group	Wind Suction Load in kN / m ²										
		0,25	0,30	0,40	0,50	0,60	0,80	1,00	1,25	1,50	1,75	2,00
single span	I, II, III	9,20	9,20	9,20	8,23	7,51	6,51	5,82	4,85	4,04	3,46	3,03
dual span	I	7,87	7,44	6,82	6,38	6,05	5,57	5,23	4,85	4,04	3,46	3,03
	II	5,62	5,47	5,21	5,02	4,85	4,60	4,40	4,21	4,04	3,46	3,03
	III	3,85	3,82	3,76	3,70	3,66	3,57	3,49	3,41	3,34	3,27	3,03
multiple span	I	9,64	8,90	7,87	7,17	6,66	5,95	5,46	4,85	4,04	3,46	3,03
	II	6,47	6,13	5,63	5,28	5,01	4,62	4,34	4,08	3,89	3,46	3,03
	III	3,45	3,41	3,35	3,29	3,24	3,14	3,07	2,98	2,91	2,85	2,80

Span Table 81-15-2

As of 11 / 2018

METFIBER ECO Wall 150 mm, $t_N = 0,60 / 0,50$ mm

Max. valid supporting widths stated in the following are calculated according to approval Z-10.49-613 with additions from 7th of August 2014 in accordance with EN 14509. Instructions for the application of the table can be gathered from the data sheet.



Wind Pressure Loads

Stat. System	Colour Group	Wind Pressure Load in kN / m ²										
		0,25	0,30	0,40	0,50	0,60	0,80	1,00	1,25	1,50	1,75	2,00
single span	I, II, III	65 9,79	65 9,79	65 9,79	72 8,76	76 7,99	91 6,92	100 6,06	100 4,85	100 4,04	100 3,46	100 3,03
dual span	I	40 5,78 60	40 5,62 60	40 5,38 71	43 5,18 85	50 5,02 99	63 4,76 126	75 4,56 150	90 4,37 180	100 4,04 200	100 3,46 200	100 3,03 200
	II	40 5,78 60	40 5,62 60	40 5,38 71	43 5,18 85	50 5,02 99	63 4,76 126	75 4,56 150	90 4,37 180	100 4,04 200	100 3,46 200	100 3,03 200
	III	40 4,96 60	40 4,96 60	40 4,96 65	41 4,96 82	49 4,96 98	63 4,76 126	75 4,56 150	90 4,37 180	100 4,04 200	100 3,46 200	100 3,03 200
multiple span	I	40 6,57 60	40 6,24 62	40 5,75 76	45 5,41 89	51 5,14 102	63 4,76 126	74 4,48 148	87 4,22 174	99 4,04 199	100 3,46 200	100 3,03 200
	II	40 6,57 60	40 6,24 62	40 5,75 76	45 5,41 89	51 5,14 102	63 4,76 126	74 4,48 148	87 4,22 174	99 4,04 199	100 3,46 200	100 3,03 200
	III	40 5,16 60	40 5,16 60	40 5,16 68	43 5,16 85	51 5,14 102	63 4,76 126	74 4,48 148	87 4,22 174	99 4,04 199	100 3,46 200	100 3,03 200

Wind Suction Loads

Stat. System	Colour Group	Wind Suction Load in kN / m ²										
		0,25	0,30	0,40	0,50	0,60	0,80	1,00	1,25	1,50	1,75	2,00
single span	I, II, III	9,20	9,20	9,20	8,23	7,51	6,51	5,82	4,85	4,04	3,46	3,03
dual span	I	7,46	7,46	7,46	7,46	7,03	6,41	5,82	4,85	4,04	3,46	3,03
	II	6,91	6,65	6,25	5,95	5,71	5,35	5,09	4,83	4,04	3,46	3,03
	III	4,60	4,54	4,44	4,36	4,28	4,14	4,04	3,92	3,82	3,46	3,03
multiple span	I	9,20	9,20	9,20	8,23	7,51	6,51	5,82	4,85	4,04	3,46	3,03
	II	8,52	7,94	7,14	6,59	6,19	5,61	5,21	4,85	4,04	3,46	3,03
	III	4,46	4,38	4,24	4,12	4,01	3,84	3,71	3,58	3,46	3,37	3,03

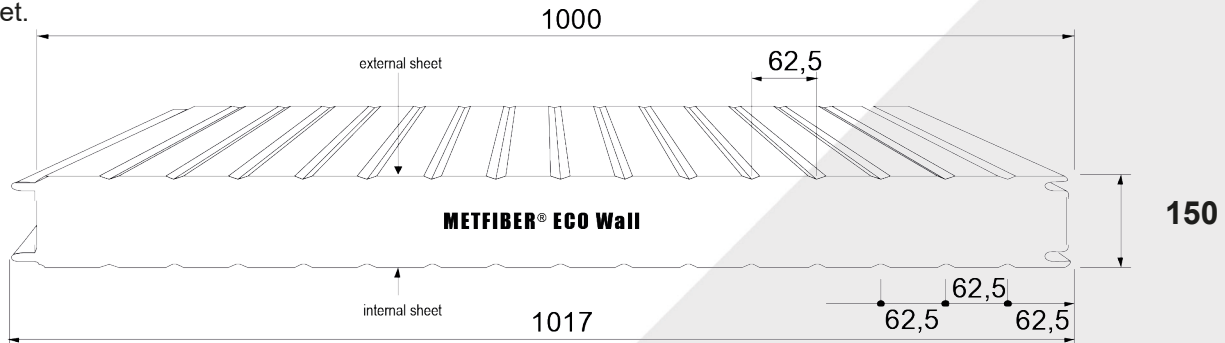
Span Table 81-15-3

As of 11 / 2018



METFIBER ECO Wall 150 mm, $t_N = 0,60 / 0,60$ mm

Max. valid supporting widths stated in the following are calculated according to approval Z-10.49-613 with additions from 7th of August 2014 in accordance with EN 14509. Instructions for the application of the table can be gathered from the data sheet.



Wind Pressure Loads

Stat. System	Colour Group	Wind Pressure Load in kN / m^2										
		0,25	0,30	0,40	0,50	0,60	0,80	1,00	1,25	1,50	1,75	2,00
single span	I, II, III	65 9,79	65 9,79	65 9,79	72 8,76	79 7,99	91 6,92	100 6,06	100 4,85	100 4,04	100 3,46	100 3,03
dual span	I	40 7,03 60	40 6,78 67	42 6,39 84	50 6,10 101	58 5,87 116	73 5,52 146	87 5,25 173	100 4,85 200	100 4,04 200	100 3,46 200	100 3,03 200
	II	40 7,03 60	40 6,78 67	42 6,39 84	50 6,10 101	58 5,87 116	73 5,52 146	87 5,25 173	100 4,85 200	100 4,04 200	100 3,46 200	100 3,03 200
	III	40 4,48 60	40 4,48 60	40 4,48 60	40 4,48 74	44 4,48 89	59 4,48 118	74 4,48 148	92 4,48 185	100 4,04 200	100 3,46 200	100 3,03 200
multiple span	I	40 8,55 71	40 8,00 79	48 7,22 95	55 6,69 110	62 6,29 125	76 5,73 151	88 5,34 176	100 4,85 200	100 4,04 200	100 3,46 200	100 3,03 200
	II	40 8,55 71	40 8,00 79	48 7,22 95	55 6,69 110	62 6,29 125	76 5,73 151	88 5,34 176	100 4,85 200	100 4,04 200	100 3,46 200	100 3,03 200
	III	40 4,08 60	40 4,08 60	40 4,08 60	40 4,08 67	40 4,08 81	54 4,08 108	67 4,08 135	84 4,08 168	100 4,04 200	100 3,46 200	100 3,03 200

Wind Suction Loads

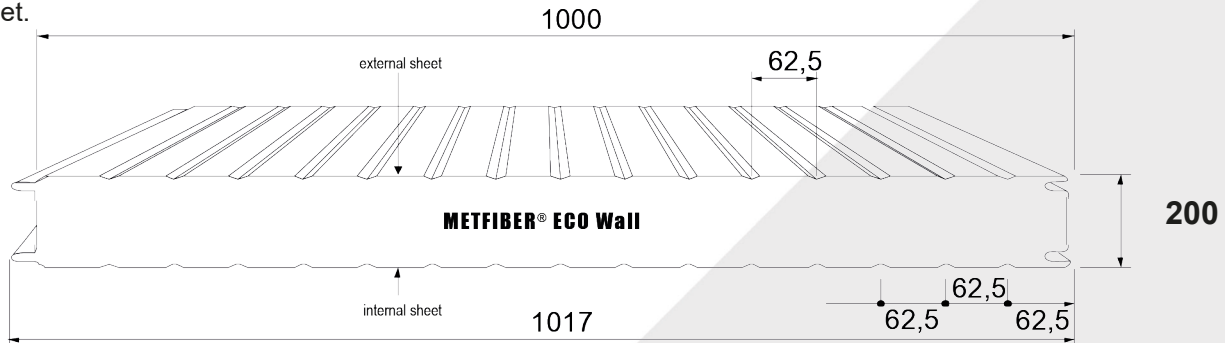
Stat. System	Colour Group	Wind Suction Load in kN / m^2										
		0,25	0,30	0,40	0,50	0,60	0,80	1,00	1,25	1,50	1,75	2,00
single span	I, II, III	9,12	9,12	9,12	9,12	8,33	7,21	6,06	4,85	4,04	3,46	3,03
dual span	I	8,72	8,24	7,55	7,07	6,70	6,17	5,79	4,85	4,04	3,46	3,03
	II	6,32	6,05	5,78	5,56	5,38	5,10	4,88	4,67	4,04	3,46	3,03
	III	4,27	4,23	4,16	4,10	4,05	3,95	3,87	3,78	3,70	3,46	3,03
multiple span	I	9,86	9,86	8,72	7,95	7,38	6,59	6,05	4,85	4,04	3,46	3,03
	II	7,17	6,79	6,24	5,85	5,55	5,12	4,81	4,53	4,04	3,46	3,03
	III	3,82	3,78	3,71	3,64	3,58	3,48	3,40	3,31	3,23	3,16	3,03

Span Table 81-20-1

As of 11 / 2018

METFIBER ECO Wall 200 mm, $t_N = 0,50 / 0,50$ mm

Max. valid supporting widths stated in the following are calculated according to approval Z-10.49-613 with additions from 7th of August 2014 in accordance with EN 14509. Instructions for the application of the table can be gathered from the data sheet.



Wind Pressure Loads

Stat. System	Colour Group	Wind Pressure Load in kN / m ²										
		0,25	0,30	0,40	0,50	0,60	0,80	1,00	1,25	1,50	1,75	2,00
single span	I, II, III	75 9,13	75 9,13	75 9,13	75 9,13	82 8,33	95 7,22	106 6,45	119 5,77	130 5,27	134 4,63	134 4,05
dual span	I	40 7,32 60	40 7,06 70	44 6,66 88	52 6,36 105	61 6,12 121	76 5,75 152	90 5,47 181	107 5,21 215	124 5,00 248	134 4,63 267	134 4,05 267
	II	40 7,32 60	40 7,06 70	44 6,66 88	52 6,36 105	61 6,12 121	76 5,75 152	90 5,47 181	107 5,21 215	124 5,00 248	134 4,63 267	134 4,05 267
	III	40 4,68 60	40 4,68 60	40 4,68 62	40 4,68 77	46 4,68 93	62 4,68 124	77 4,68 154	97 4,68 193	116 4,68 232	134 4,63 267	134 4,05 267
multiple span	I	40 8,91 74	41 8,33 82	50 7,53 99	58 6,97 115	65 6,56 130	79 5,97 158	92 5,56 183	107 5,19 214	121 4,90 243	134 4,63 267	134 4,05 267
	II	40 8,91 74	41 8,33 82	50 7,53 99	58 6,97 115	65 6,56 130	79 5,97 158	92 5,56 183	107 5,19 214	121 4,90 243	134 4,63 267	134 4,05 267
	III	40 4,25 60	40 4,25 60	40 4,25 60	40 4,25 70	42 4,25 84	56 4,25 112	70 4,25 140	88 4,25 175	105 4,25 210	123 4,25 245	134 4,05 267

Wind Suction Loads

Stat. System	Colour Group	Wind Suction Load in kN / m ²										
		0,25	0,30	0,40	0,50	0,60	0,80	1,00	1,25	1,50	1,75	2,00
single span	I, II, III	9,51	9,51	9,51	9,51	8,68	7,52	6,73	6,02	5,40	4,63	4,05
dual span	I	9,09	8,59	7,87	7,37	6,99	6,43	6,04	5,66	5,33	4,63	4,05
	II	6,49	6,31	6,02	5,79	5,61	5,31	5,09	4,86	4,69	4,54	4,05
	III	4,45	4,41	4,34	4,28	4,22	4,12	4,03	3,94	3,85	3,78	3,71
multiple span	I	9,09	9,09	9,09	8,28	7,69	6,87	6,31	5,75	5,34	4,63	4,05
	II	7,46	7,07	6,50	6,09	5,79	5,34	5,02	4,72	4,49	4,31	4,05
	III	3,98	3,94	3,86	3,80	3,74	3,63	3,54	3,44	3,36	3,29	3,23

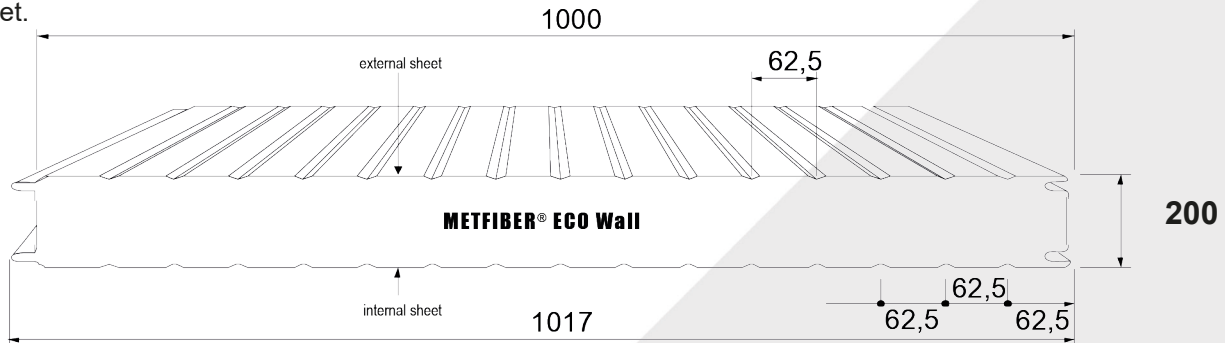
Span Table 81-20-2

As of 11 / 2018



METFIBER ECO Wand 200 mm, $t_N = 0,60 / 0,50$ mm

Max. valid supporting widths stated in the following are calculated according to approval Z-10.49-613 with additions from 7th of August 2014 in accordance with EN 14509. Instructions for the application of the table can be gathered from the data sheet.



Wind Pressure Loads

Stat. System	Colour Group	Wind Pressure Load in kN / m ²										
		0,25	0,30	0,40	0,50	0,60	0,80	1,00	1,25	1,50	1,75	2,00
single span	I, II, III	91 9,24	91 9,24	91 9,24	91 9,24	91 9,24	106 8,00	118 7,16	132 6,40	134 5,40	134 4,62	134 4,05
dual span	I	40 5,78 60	40 5,62 60	40 5,38 71	43 5,18 85	50 5,02 99	63 4,76 126	75 4,56 150	90 4,37 180	100 4,04 200	100 3,46 200	100 3,03 200
	II	40 5,78 60	40 5,62 60	40 5,38 71	43 5,18 85	50 5,02 99	63 4,76 126	75 4,56 150	90 4,37 180	100 4,04 200	100 3,46 200	100 3,03 200
	III	40 4,96 60	40 4,96 60	40 4,96 65	41 4,96 82	49 4,96 98	63 4,76 126	75 4,56 150	90 4,37 180	100 4,04 200	100 3,46 200	100 3,03 200
multiple span	I	40 7,58 63	40 7,20 71	44 6,64 88	51 6,24 103	59 5,94 118	72 5,49 145	85 5,17 171	100 4,87 201	115 4,64 230	129 4,46 258	134 4,05 267
	II	40 7,58 63	40 7,20 71	44 6,64 88	51 6,24 103	59 5,94 118	72 5,49 145	85 5,17 171	100 4,87 201	115 4,64 230	129 4,46 258	134 4,05 267
	III	40 5,96 60	40 5,96 60	40 5,96 79	49 5,96 98	59 5,94 118	72 5,49 145	85 5,17 171	100 4,87 201	115 4,64 230	129 4,46 258	134 4,05 267

Wind Suction Loads

Stat. System	Colour Group	Wind Suction Load in kN / m ²										
		0,25	0,30	0,40	0,50	0,60	0,80	1,00	1,25	1,50	1,75	2,00
single span	I, II, III	9,51	9,51	9,51	9,51	8,68	7,52	6,73	6,02	5,40	4,62	4,05
dual span	I	8,61	8,61	8,61	8,61	8,61	7,41	6,72	6,02	5,40	4,62	4,05
	II	7,99	7,68	7,22	6,87	6,60	6,18	5,88	5,58	5,35	4,62	4,05
	III	5,31	5,24	5,13	5,03	4,94	4,79	4,66	4,53	4,41	4,31	4,05
multiple span	I	9,51	9,51	9,51	9,51	8,68	7,52	6,72	6,02	5,40	4,62	4,05
	II	9,83	9,17	8,25	7,61	7,15	6,48	6,02	5,60	5,29	4,62	4,05
	III	5,16	5,06	4,89	4,75	4,64	4,44	4,29	4,13	4,00	3,89	3,80

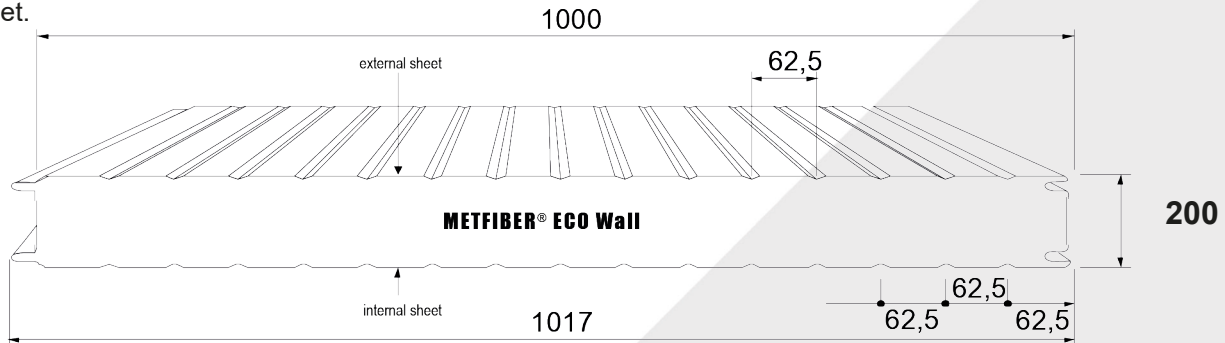
Span Table 81-20-3

As of 11 / 2018



METFIBER ECO Wand 200 mm, $t_N = 0,60 / 0,60$ mm

Max. valid supporting widths stated in the following are calculated according to approval Z-10.49-613 with additions from 7th of August 2014 in accordance with EN 14509. Instructions for the application of the table can be gathered from the data sheet.



Wind Pressure Loads

Stat. System	Colour Group	Wind Pressure Load in kN / m ²										
		0,25	0,30	0,40	0,50	0,60	0,80	1,00	1,25	1,50	1,75	2,00
single span	I, II, III	91 9,24	91 9,24	91 9,24	91 9,24	91 9,24	106 8,00	118 7,15	132 6,40	133 5,39	133 4,62	133 4,04
dual span	I	40 8,14 67	40 7,85 78	49 7,40 98	58 7,06 116	67 6,79 134	84 6,38 168	100 6,07 200	119 5,78 238	133 5,39 267	133 4,62 267	133 4,04 267
	II	40 8,14 67	40 7,85 78	49 7,40 98	58 7,06 116	67 6,79 134	84 6,38 168	100 6,07 200	119 5,78 238	133 5,39 267	133 4,62 267	133 4,04 267
	III	40 5,20 60	40 5,20 60	40 5,20 69	43 5,20 86	51 5,20 103	69 5,20 137	86 5,20 172	107 5,20 215	129 5,20 257	133 4,62 267	133 4,04 267
multiple span	I	41 9,92 82	46 9,28 92	55 8,37 110	64 7,75 128	72 7,29 144	88 6,63 175	102 6,18 204	119 5,76 238	133 5,39 267	133 4,62 267	133 4,04 267
	II	41 9,92 82	46 9,28 92	55 8,37 110	64 7,75 128	72 7,29 144	88 6,63 175	102 6,18 204	119 5,76 238	133 5,39 267	133 4,62 267	133 4,04 267
	III	40 4,74 60	40 4,74 60	40 4,74 63	40 4,74 78	47 4,74 94	63 4,74 125	78 4,74 156	98 4,74 196	117 4,74 235	133 4,62 267	133 4,04 267

Wind Suction Loads

Stat. System	Colour Group	Wind Suction Load in kN / m ²										
		0,25	0,30	0,40	0,50	0,60	0,80	1,00	1,25	1,50	1,75	2,00
single span	I, II, III	9,63	9,63	9,63	9,63	9,63	8,34	7,46	6,47	5,40	4,62	4,04
dual span	I	9,54	9,54	8,74	8,18	7,75	7,14	6,70	6,28	5,39	4,62	4,04
	II	7,21	7,01	6,69	6,43	6,22	5,90	5,65	5,40	5,20	4,62	4,04
	III	4,94	4,90	4,82	4,75	4,69	4,57	4,48	4,37	4,28	4,19	4,04
multiple span	I	9,20	9,20	9,20	9,20	8,54	7,62	6,99	6,38	5,39	4,62	4,04
	II	8,31	7,87	7,23	6,78	6,43	5,93	5,57	5,24	4,99	4,62	4,04
	III	4,43	4,38	4,30	4,22	4,16	4,04	3,94	3,83	3,74	3,66	3,58