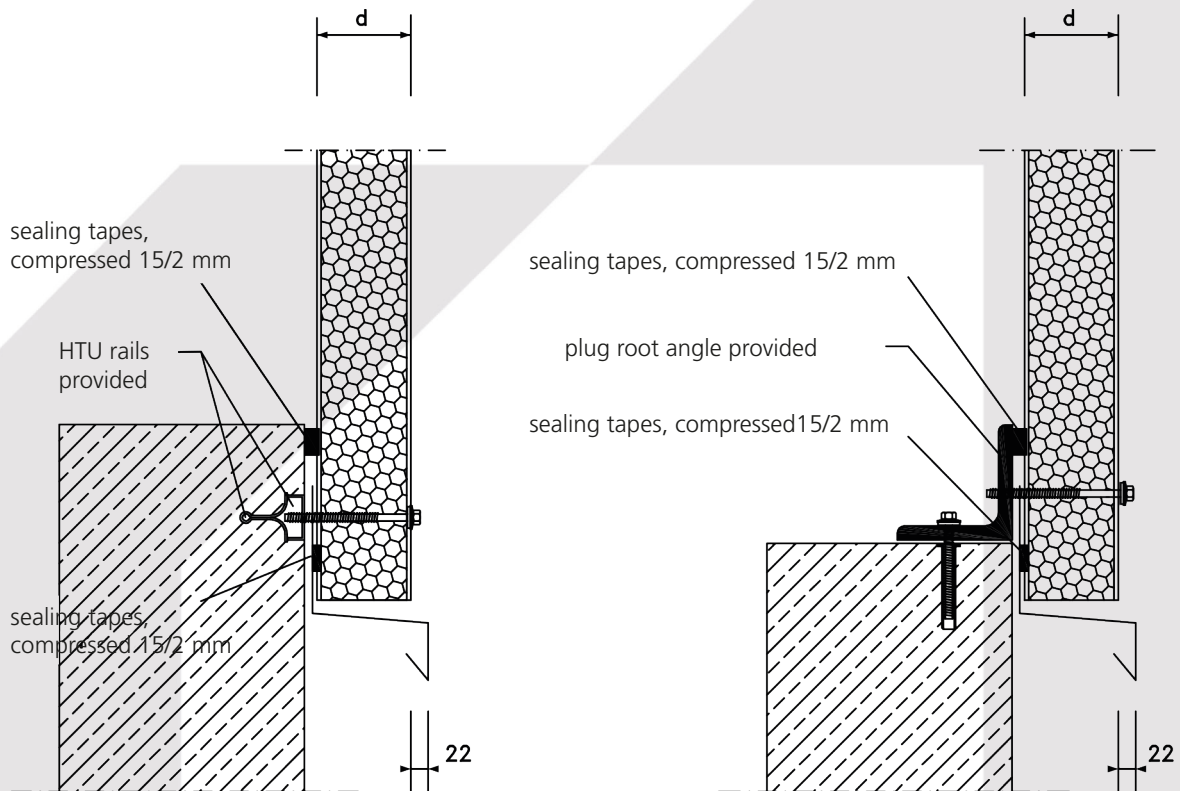


VERTICAL PROFILE

Subject to change without further notice * As of August 2020

KT-ATT 02		<table border="1"> <thead> <tr> <th colspan="2">KT-ATT 02/+ Code</th> </tr> <tr> <th>Thickness of insulation material</th> <th>Code</th> </tr> </thead> <tbody> <tr> <td>40</td> <td>50 60 80 100 120</td> </tr> <tr> <td>Code</td> <td>4 5 6 8 10 12</td> </tr> <tr> <td>E</td> <td>100 110 120 140 160 180</td> </tr> <tr> <td>F</td> <td>45 35 126 106 86 106</td> </tr> <tr> <td>Z</td> <td>305 305 406 406 406 436</td> </tr> </tbody> </table>	KT-ATT 02/+ Code		Thickness of insulation material	Code	40	50 60 80 100 120	Code	4 5 6 8 10 12	E	100 110 120 140 160 180	F	45 35 126 106 86 106	Z	305 305 406 406 406 436
KT-ATT 02/+ Code																
Thickness of insulation material	Code															
40	50 60 80 100 120															
Code	4 5 6 8 10 12															
E	100 110 120 140 160 180															
F	45 35 126 106 86 106															
Z	305 305 406 406 406 436															
<p>Attic profile</p> <p>Cut: s.Tab.mm</p>																
KT-ATT 05		<table border="1"> <thead> <tr> <th colspan="2">KT-ATT 05/+ Code</th> </tr> <tr> <th>Thickness of insulation material</th> <th>Code</th> </tr> </thead> <tbody> <tr> <td>40</td> <td>50 60 80 100 120</td> </tr> <tr> <td>Code</td> <td>4 5 6 8 10 12</td> </tr> <tr> <td>E</td> <td>42 52 62 82 102 122</td> </tr> <tr> <td>F</td> <td>116 106 96 76 97 77</td> </tr> <tr> <td>Z</td> <td>203 203 203 203 244 244</td> </tr> </tbody> </table>	KT-ATT 05/+ Code		Thickness of insulation material	Code	40	50 60 80 100 120	Code	4 5 6 8 10 12	E	42 52 62 82 102 122	F	116 106 96 76 97 77	Z	203 203 203 203 244 244
KT-ATT 05/+ Code																
Thickness of insulation material	Code															
40	50 60 80 100 120															
Code	4 5 6 8 10 12															
E	42 52 62 82 102 122															
F	116 106 96 76 97 77															
Z	203 203 203 203 244 244															
<p>Attic base profile, galvanised</p> <p>Cut: s.Tab.mm</p>																



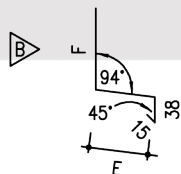
VERTICAL PROFILE

Subject to change without further notice * As of August 2020

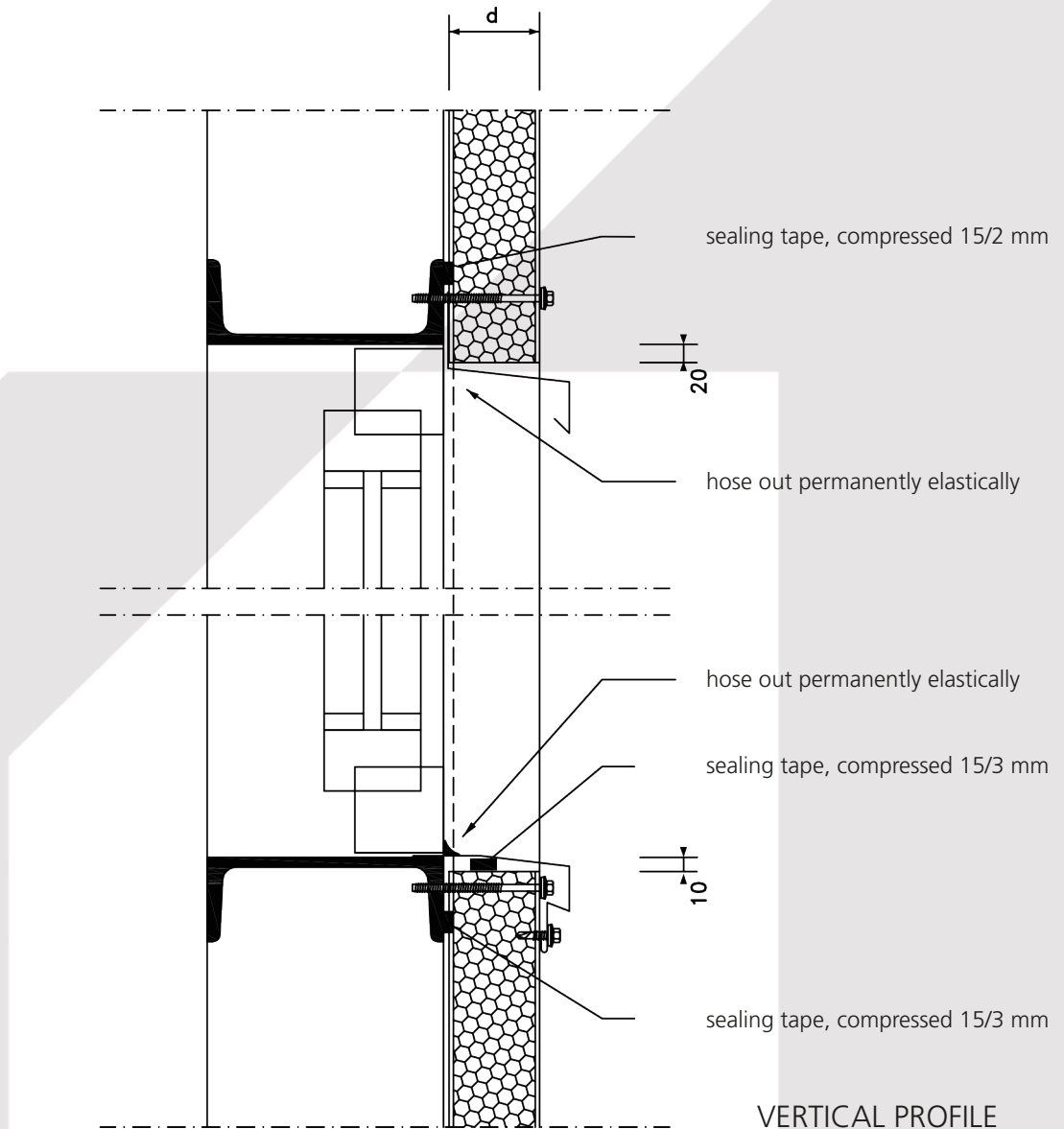
KT-SOC 02

Dripping profile

Cut: s.Tab.mm



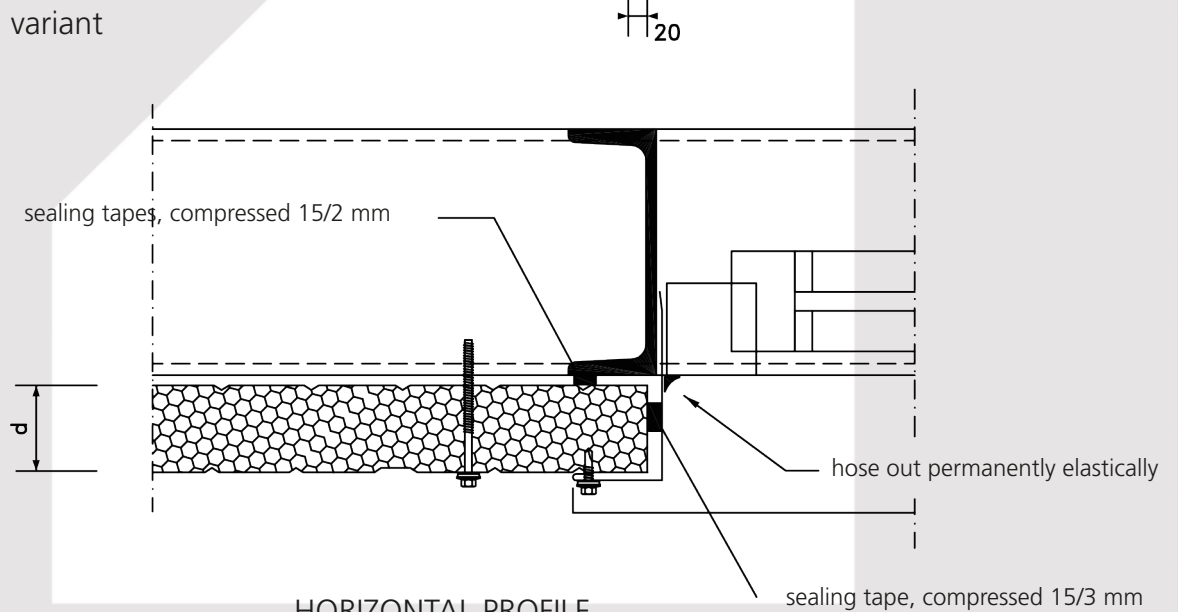
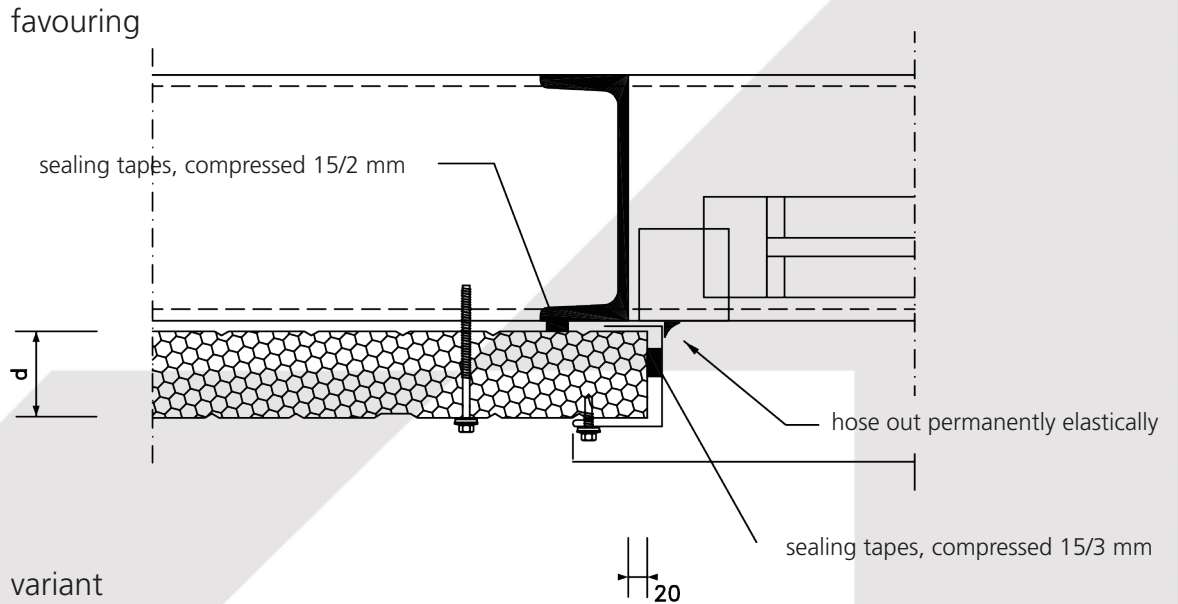
KT-SOC 02/+ Code						
Thickness of insulation material	40	50	60	80	100	120
Code	4	5	6	8	10	12
E	62	72	82	102	122	142
F	88	78	109	89	130	110
Z	203	203	244	244	305	305



Subject to change without further notice * As of August 2020

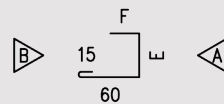
KT-WOE 08			KT-WOE 08/+ Code						
Dripping profile			Thickness of insulation material						
Cut: s.Tab.mm			40	50	60		80	100	120
		Code	4	5	6		8	10	12
		E	62	72	82		102	122	142
		F	88	78	109		89	130	110
		Z	203	203	244		244	305	305

KT-WOE 02			KT-WOE 02/+ Code						
Windowsill profile			Thickness of insulation material						
Cut: s.Tab.mm			40	50	60		80	100	120
		Code	4	5	6		8	10	12
		E	60	70	80		100	120	140
		F	66	56	46		26	67	47
		Z	244	244	244		244	305	305



KT-WOE 11

U-Curb profile
Cut: s.Tab.mm

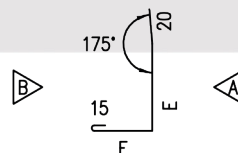


KT-WOE 11/+ Code

Thickness of insulation material	40	50	60	80	100	120
Code	4	5	6	8	10	12
E	43	53	63	83	103	123
F	34	46	36	45	66	46
Z	152	174	174	203	244	244

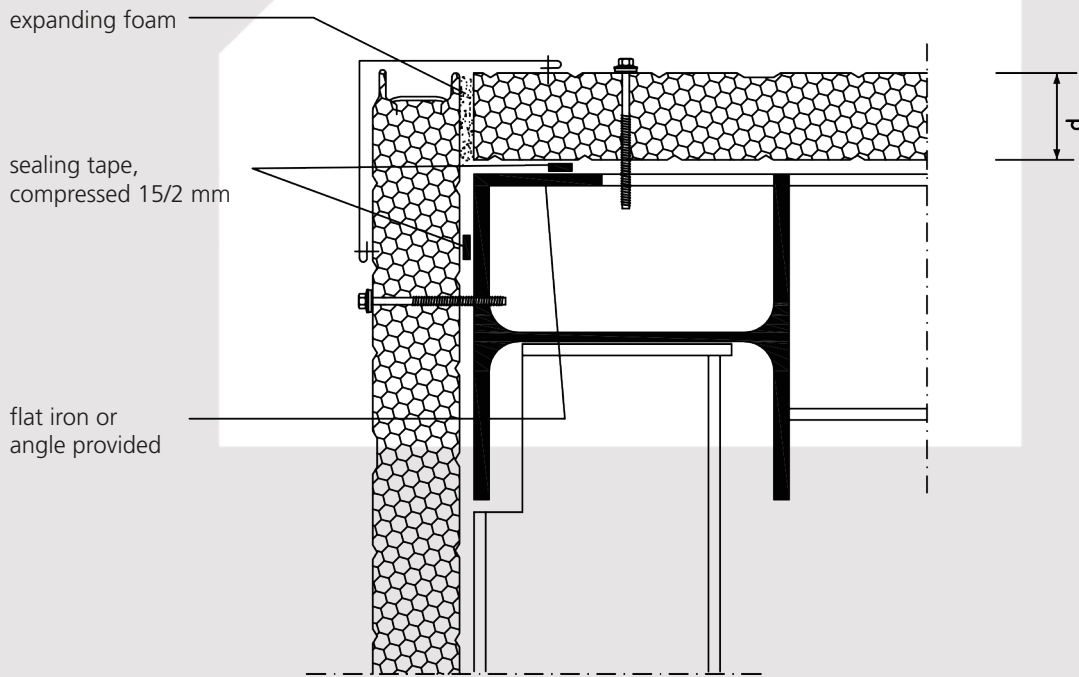
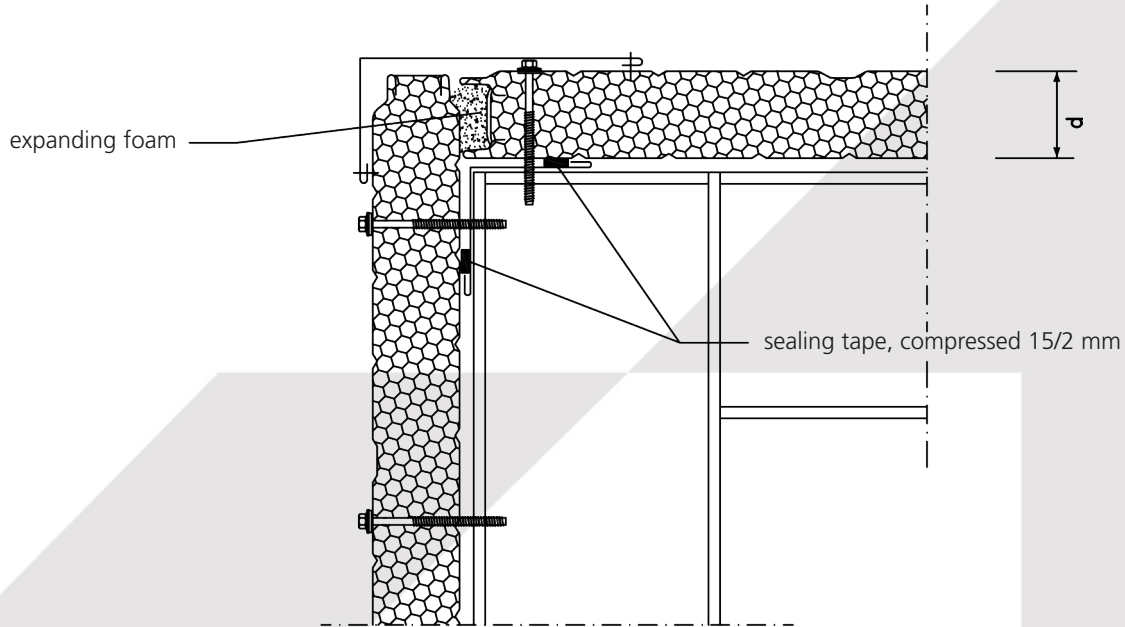
KT-WOE 14

L-Curb profile
Cut: s.Tab.mm



KT-WOE 14/+ Code

Thickness of insulation material	40	50	60	80	100	120
Code	4	5	6	8	10	12
E	108	118	149	149	149	149
F	-	-	-	-	-	-
Z	203	203	244	244	244	244

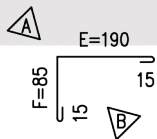


HORIZONTAL PROFILE

Subject to change without further notice * As of August 2020

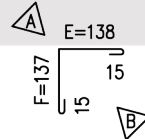
KT-AUS 03

Outer-corner profile
Cut: 305 mm



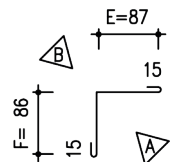
KT-AUS 04

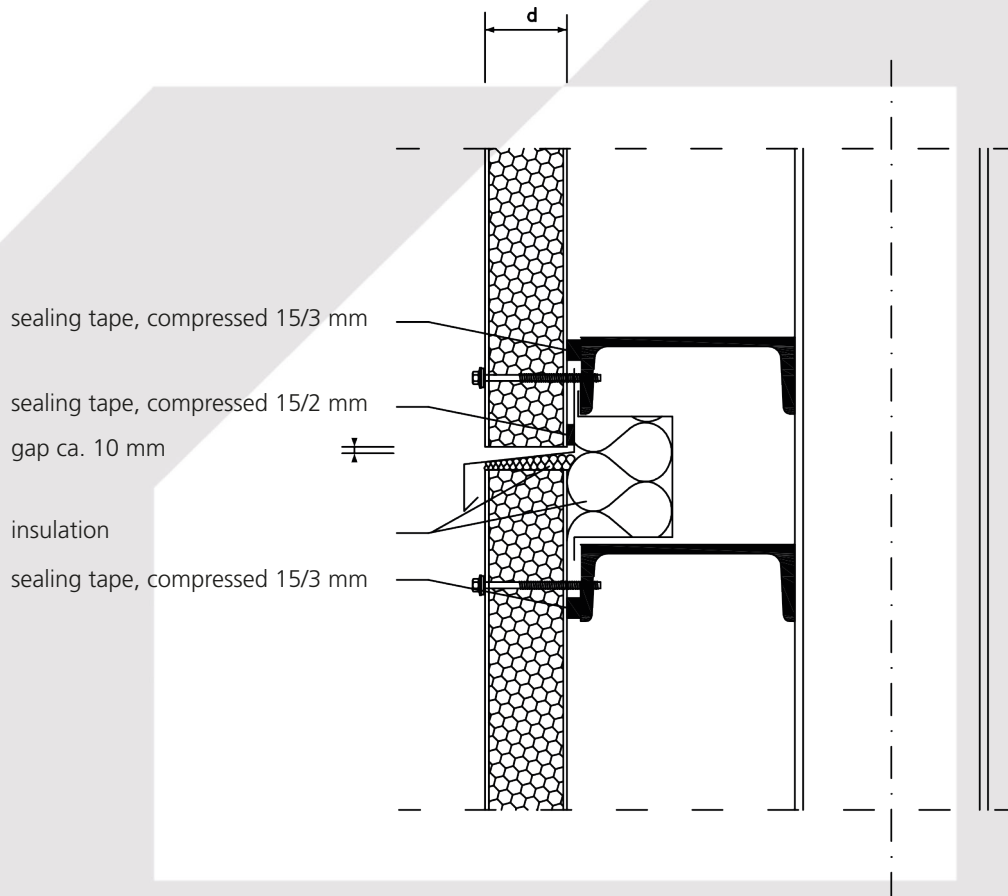
Outer-corner profile
Cut: 305 mm



KT-AUS 14

Inner-corner profile
Cut: 203 mm



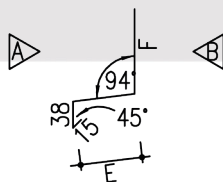


Subject to change without further notice * As of August 2020

KT-SOC 02

Dripping profile

Cut: s.Tab.mm



KT-SOC 02/+ Code						
Thickness of insulation material	40	50	60	80	100	120
Code	4	5	6	8	10	12
E	62	72	82	102	122	142
F	88	78	109	89	130	110
Z	203	203	244	244	305	305